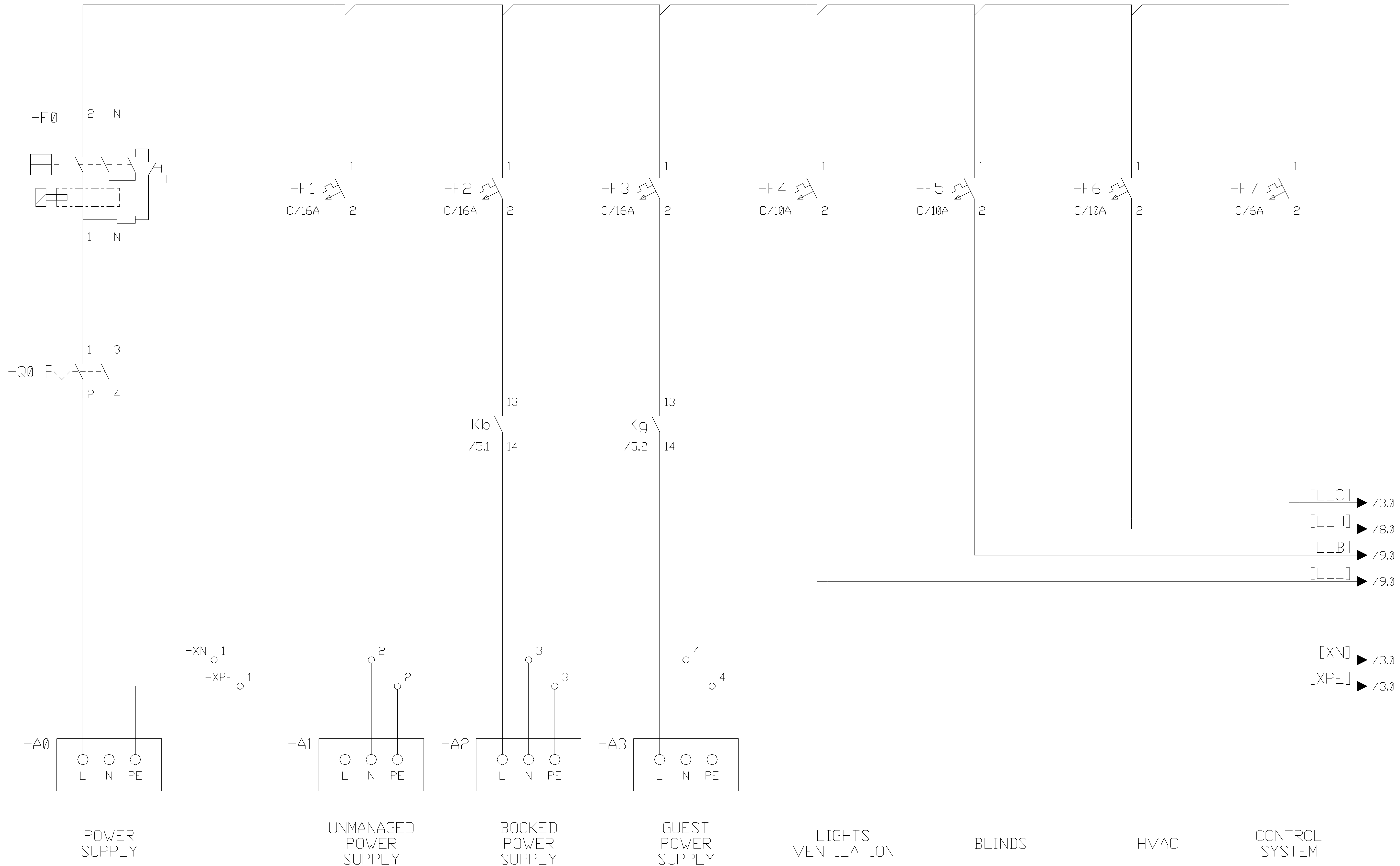


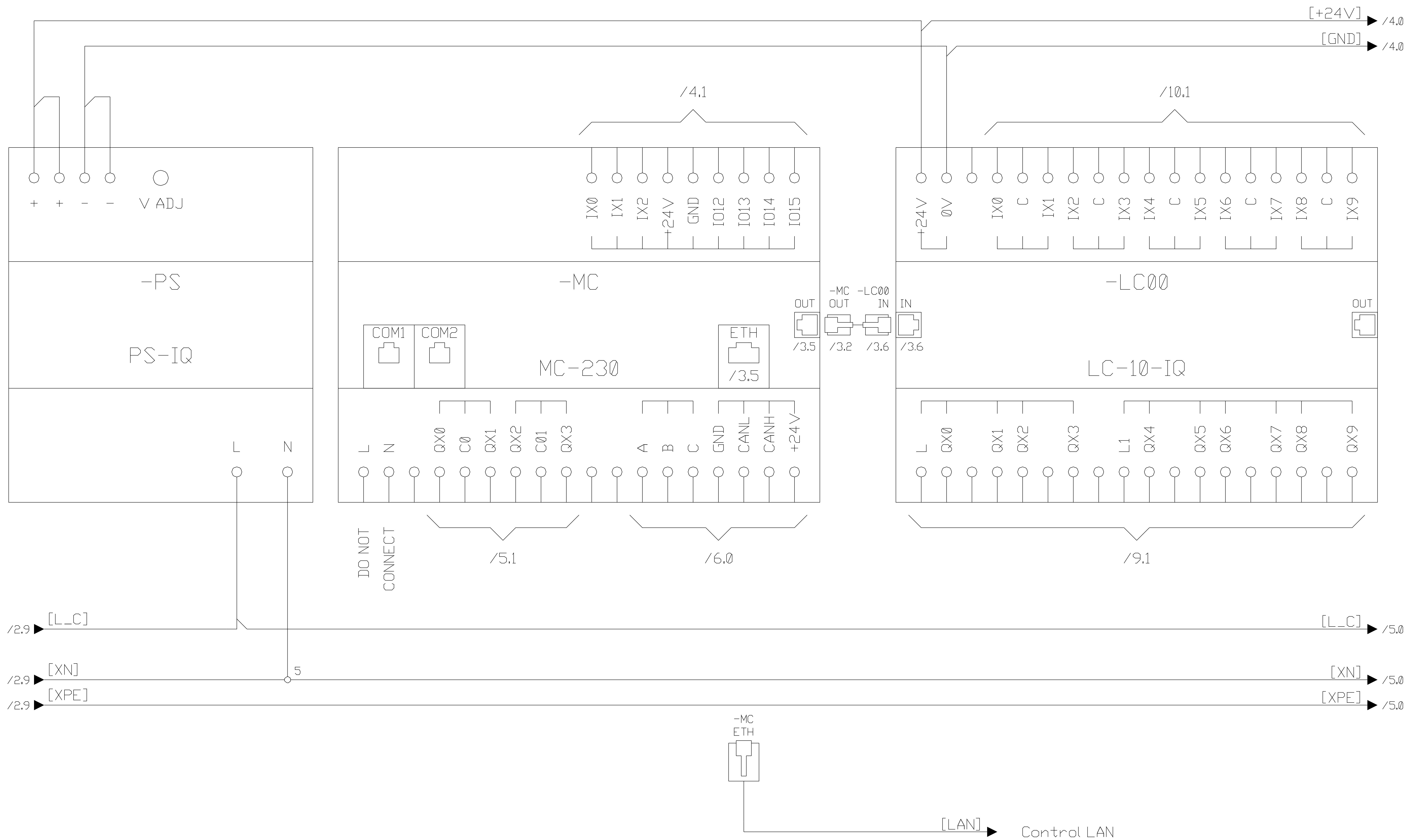
HIQ GRMS with Assa Abloy integration

Drawing	Version	Date
GRMS-101	v.1.0.0	4/6/2024

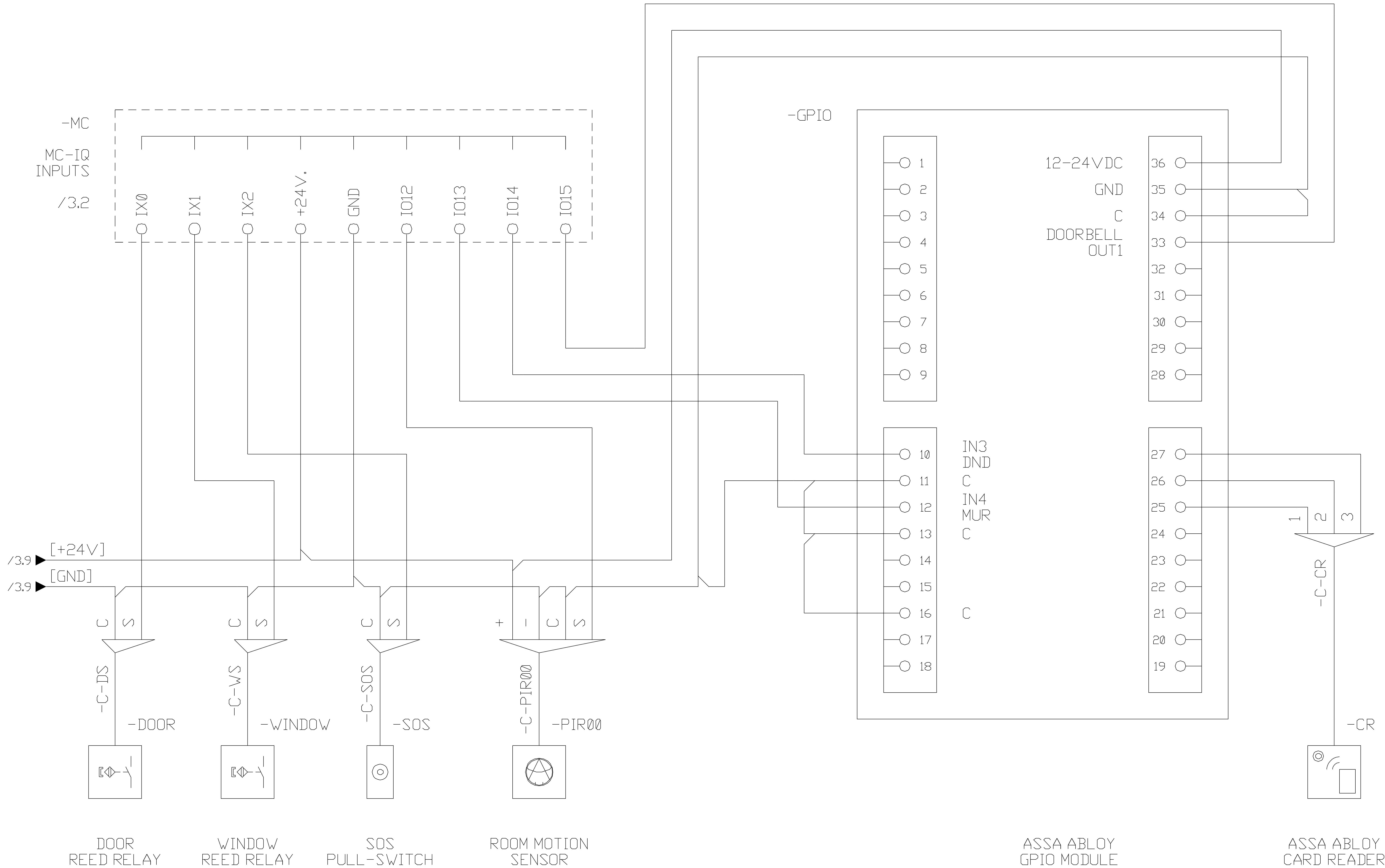
Supplier	Customer
Robotina d.o.o. OIC Hrpelje 38 6240 Kozina, Slovenia info@robotina.com	



				Last changed by GK	 Robotina d.o.o. OIC Kozina 38 SI-6240 Kozina	POWER DISTRIBUTION	Drawing number GRMS-101	Installation =
				Last changed 4/6/2024		HIQ GRMS	Pages 11	Location +
Rev	Revision text	Signature	Date	Print date 4/6/2024				Page number 2



		Last changed by GK		 Robotina d.o.o. OIC Kozina 38 SI-6240 Kozina	CONTROL SYSTEM		Drawing number GRMS-101		Installation =		
		Last changed 3/6/2024			HIQ GRMS		Pages 11		Location +		
Rev		Revision text			Signature		Date		Page number 3		
		Print date 4/6/2024									



DOOR REED RELAY

WINDOW REED RELAY

SOS PULL-SWITCH

ROOM MOTION SENSOR

ASSA ABLOY GPIO MODULE

ASSA ABLOY CARD READER

Rev	Revision text	Signature	Date
-----	---------------	-----------	------

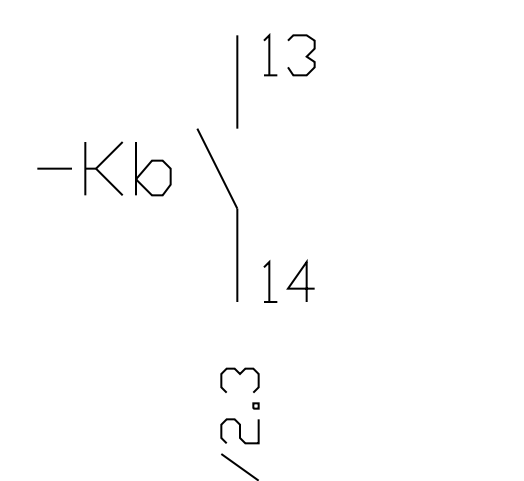
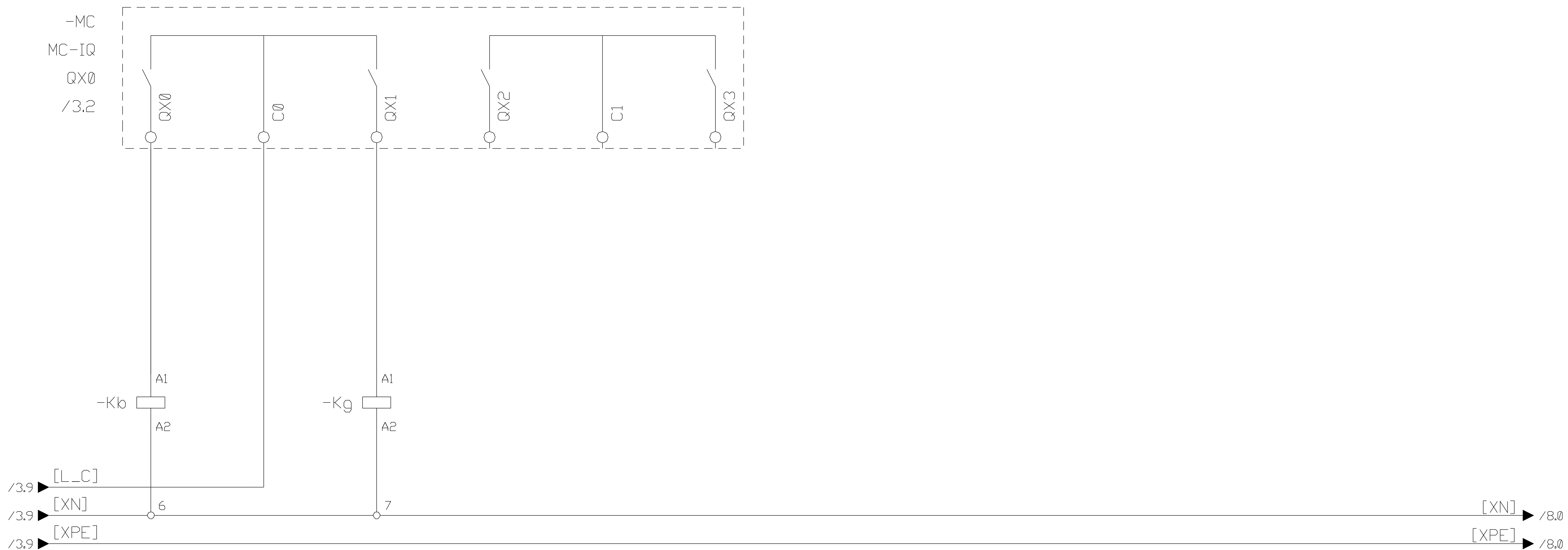
Last changed by	GK
Last changed	3/6/2024
Print date	4/6/2024



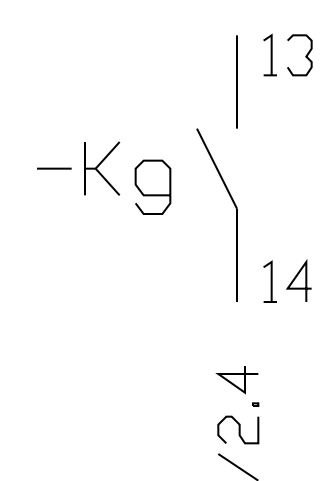
CONTROL SYSTEM
HIQ GRMS

Drawing number	GRMS-101
Pages	11

Installation =	
Location +	
Page number	4

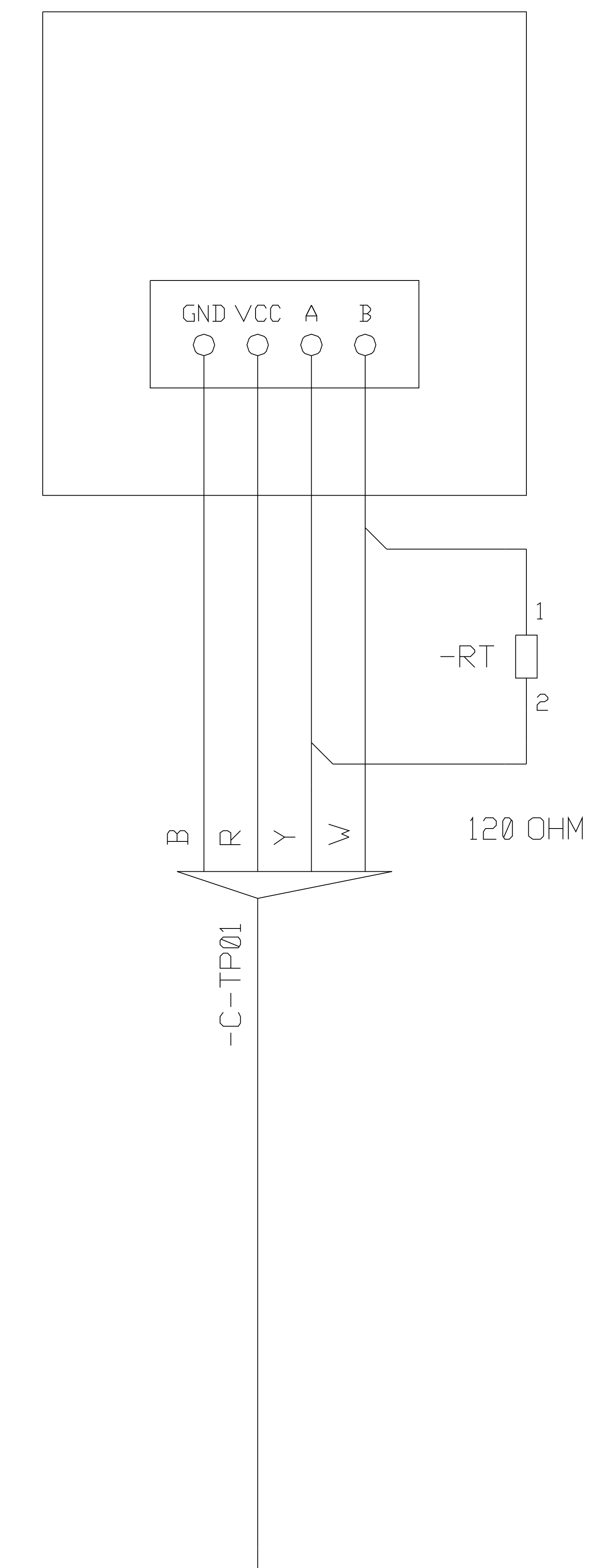
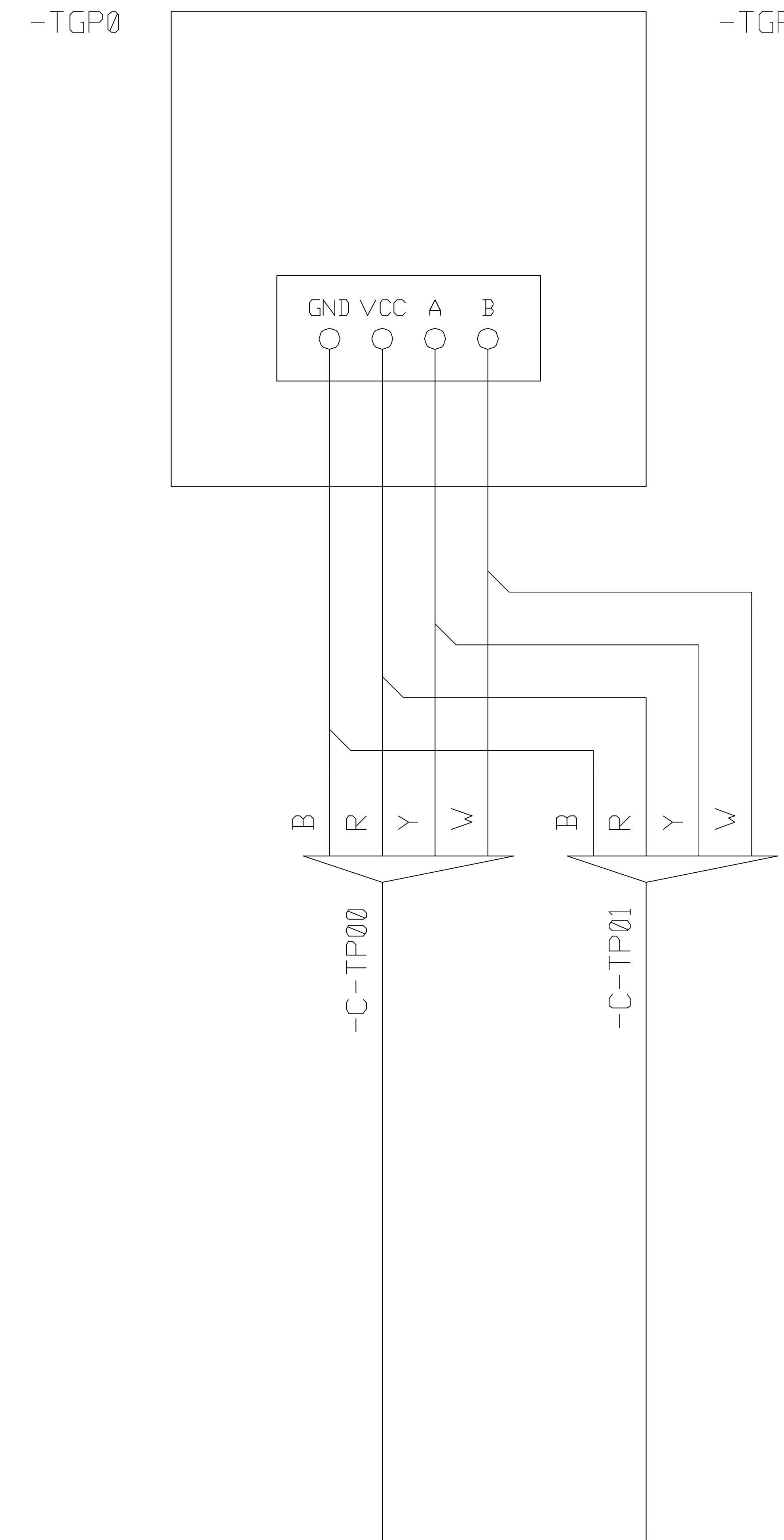
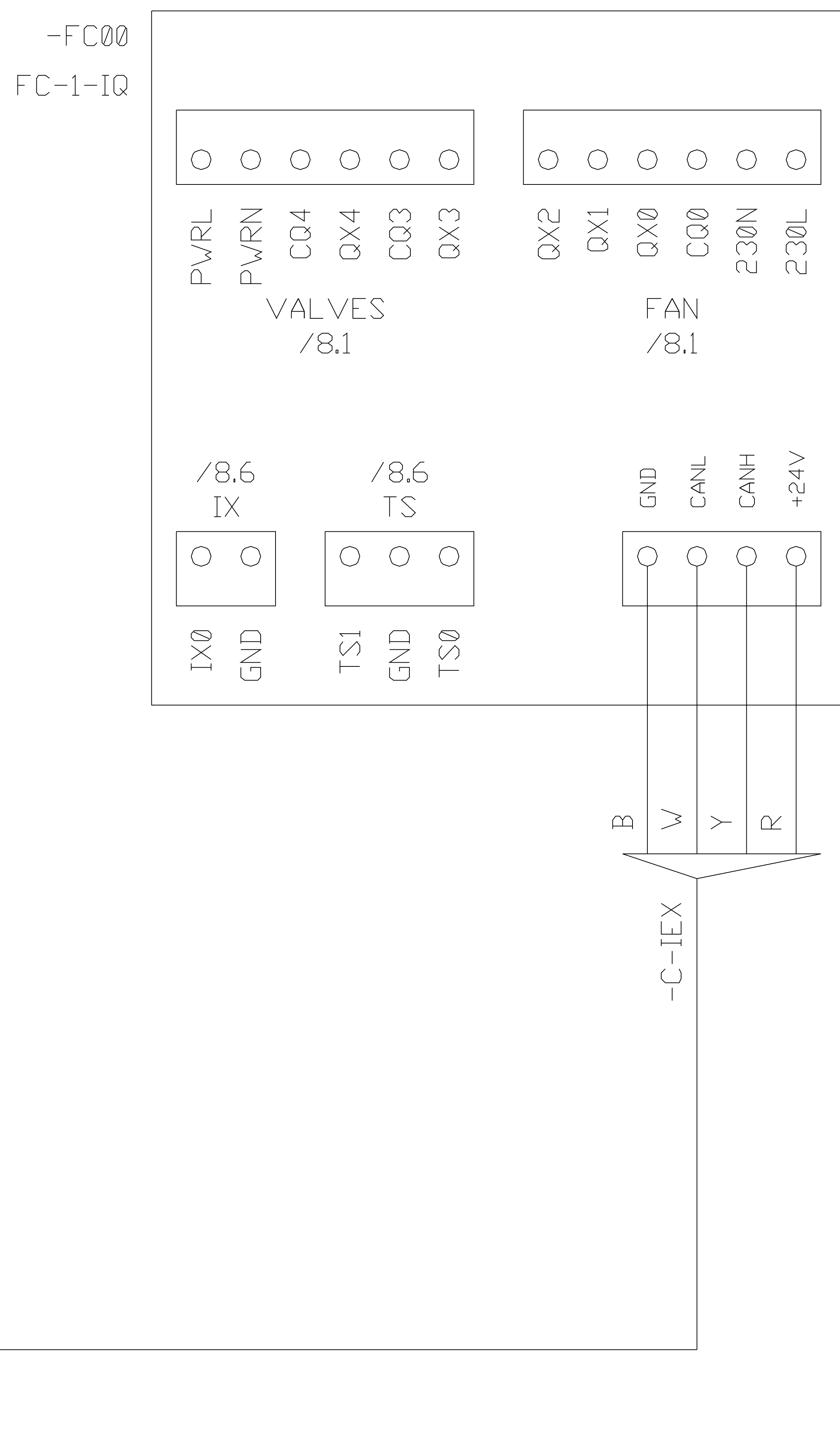
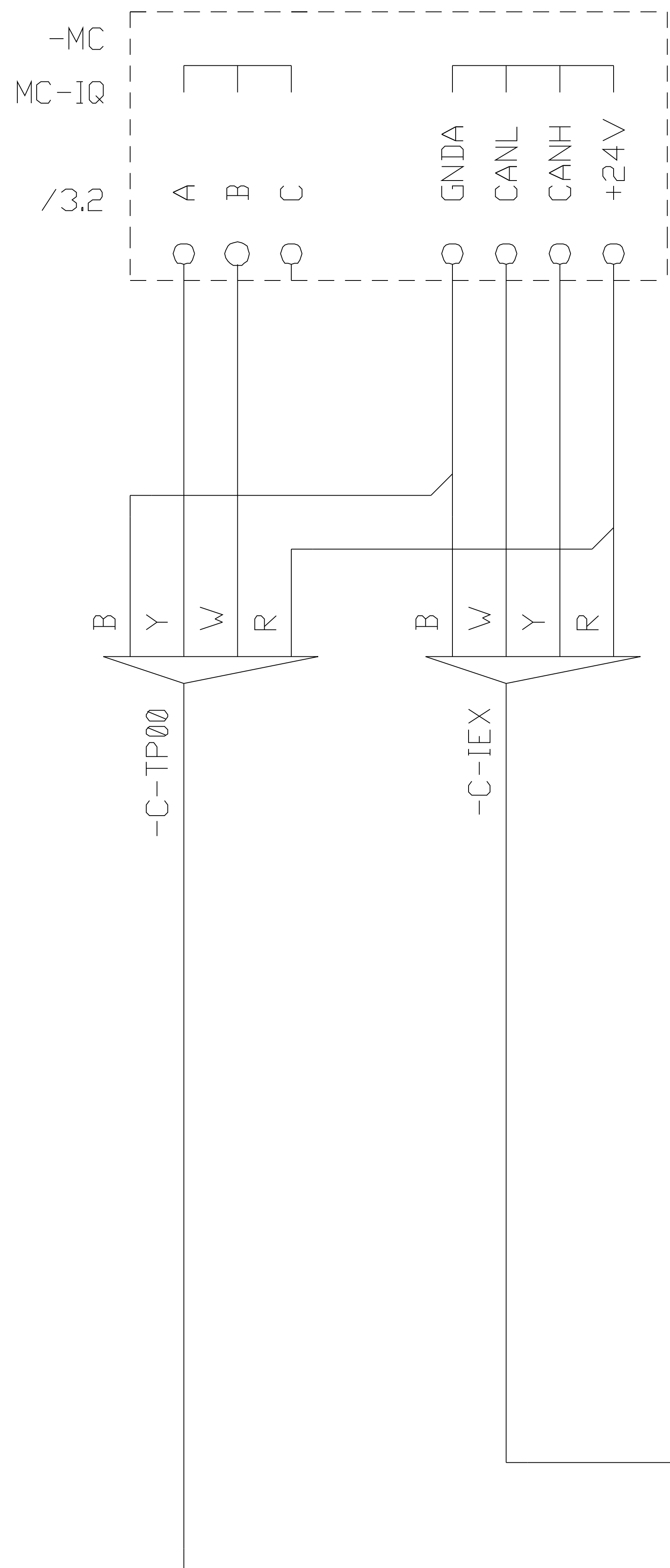


PRESENCE
POWER SUPPLY
CONTACTOR



BOOKED
POWER SUPPLY
CONTACTOR

				Last changed by GK	 Robotina d.o.o. OIC Kozina 38 SI-6240 Kozina	CONTROL SYSTEM	Drawing number GRMS-101	Installation =
				Last changed 3/6/2024		HIQ GRMS	Pages 11	Location +
Rev	Revision text	Signature	Date	Print date 4/6/2024				Page number 5



FAN-COIL CONTROLLER

ROOM TOUCH PANEL

OPTIONAL: CORRIDOR TOUCH PANEL Near room entry

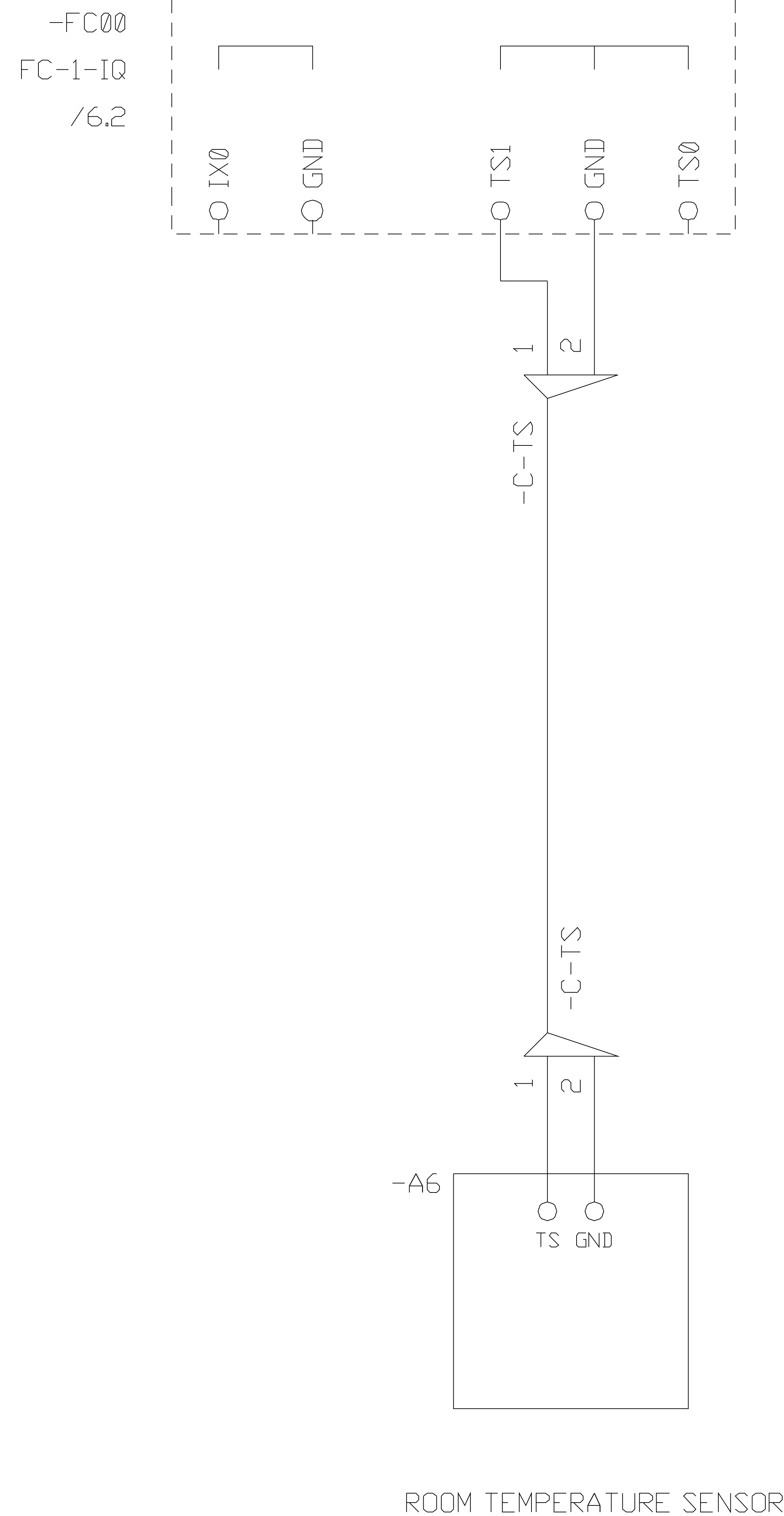
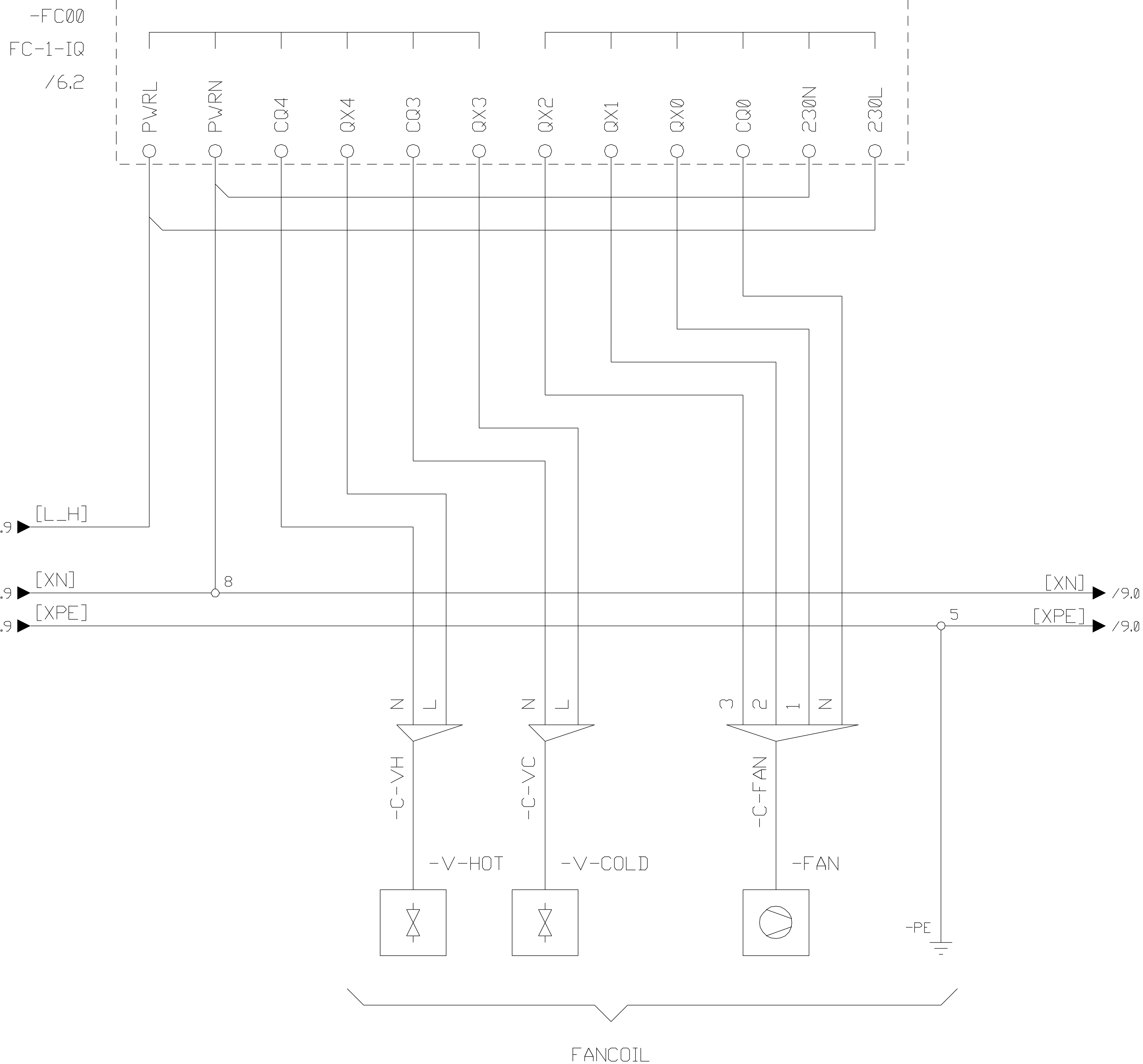
				Last changed by GK	 Robotina d.o.o. OIC Kozina 38 SI-6240 Kozina	CONTROL SYSTEM	Drawing number GRMS-101	Installation =
				Last changed 3/6/2024		HIQ GRMS	Pages 11	Location +
Rev	Revision text	Signature	Date	Print date 4/6/2024				Page number 6

VALVES

FAN

IX

TS



Rev	Revision text	Signature	Date
-----	---------------	-----------	------

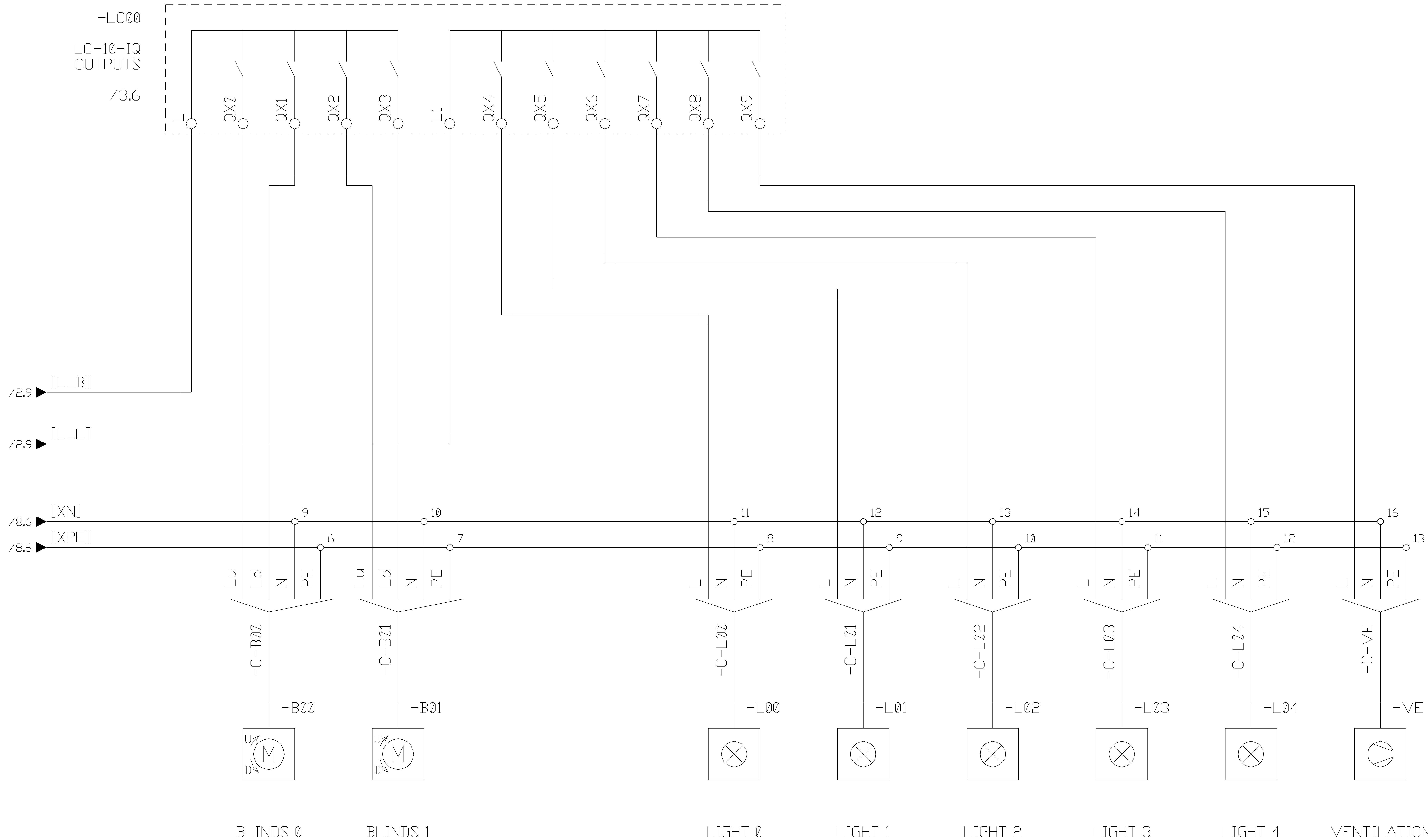
Last changed by	GK
Last changed	23/5/2024
Print date	4/6/2024



CONTROL SYSTEM	
HIQ GRMS	

Drawing number	GRMS-101
Pages	11

Installation =	
Location +	
Page number	8



BLINDS 0

BLINDS 1

LIGHT 0

LIGHT 1

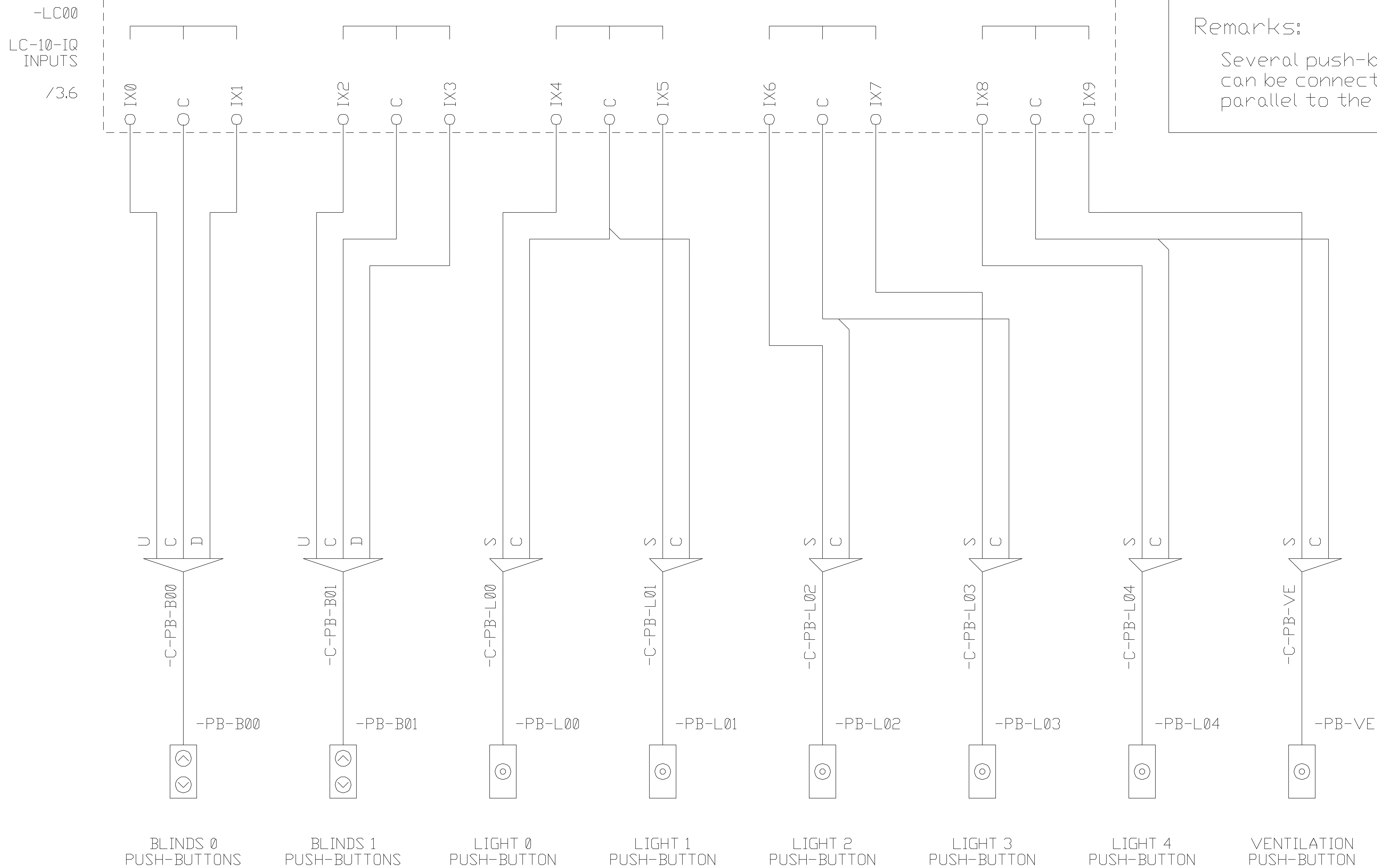
LIGHT 2

LIGHT 3

LIGHT 4

VENTILATION

		Last changed by GK		 Robotina d.o.o. OIC Kozina 38 SI-6240 Kozina	CONTROL SYSTEM	Drawing number GRMS-101		Installation =	
		Last changed 4/6/2024				Pages 11		Location +	
Rev		Revision text				Print date 4/6/2024		Page number 9	
		Signature		Date					



Remarks:
Several push-buttons can be connected in parallel to the inputs

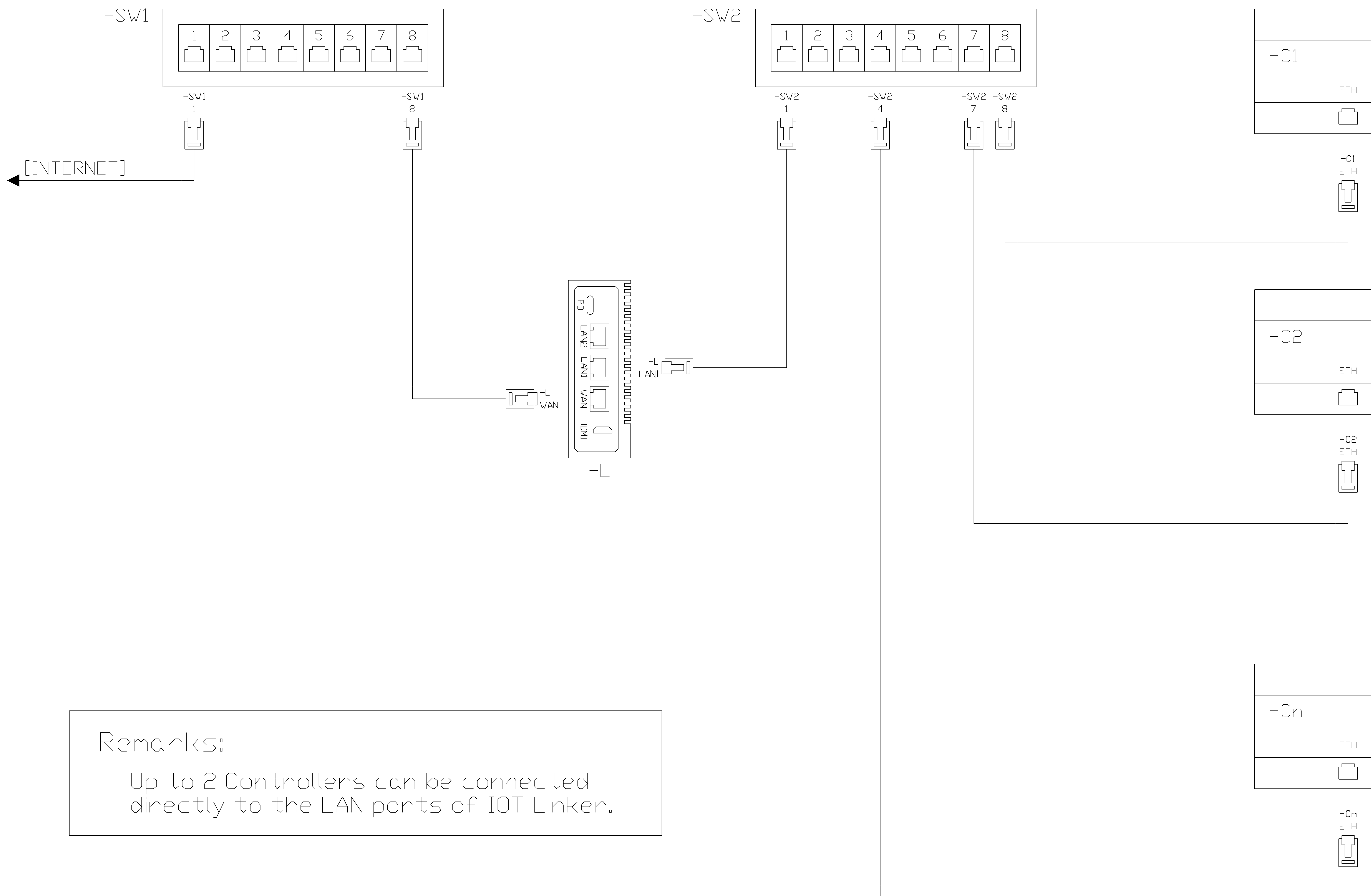
				Last changed by GK	 Robotina d.o.o. OIC Kozina 38 SI-6240 Kozina	CONTROL SYSTEM	Drawing number GRMS-101	Installation =
				Last changed 4/6/2024		HIQ GRMS	Pages 11	Location +
Rev	Revision text	Signature	Date	Print date 4/6/2024				Page number 10

Facility LAN

IOT Linker

Control LAN

Master Controllers



Remarks:
Up to 2 Controllers can be connected directly to the LAN ports of IOT Linker.

				Last changed by GK	 Robotina d.o.o. OIC Kozina 38 SI-6240 Kozina	LAN	Drawing number GRMS-101	Installation =
				Last changed 23/5/2024		HIQ GRMS	Pages 11	Location +
Rev	Revision text	Signature	Date	Print date 4/6/2024				Page number 11

0

1

2

3

4

5

6

7

8

9

CORRIDOR

ROOM

FANCOIL

DISTRIBUTION BOX

3 speed fan
Hot water valve
Cold water valve

MC	LC

TGP (option)
RS485

TGP
RS485

ES
TS

QX
FC
TS IEX

IEX-2

RS485

IX

QX

4 x 0.75

2 x 0.75

4 x 0.75

4 x 0.75

CR

GPIO

K

3 x 0.75

Push-buttons	(N+1) x 0.75
Motion-sensors	4 x 0.75
Door / window sensors	2 x 0.75
Door lock	2 x 1.5
Lights	3 x 1.5
Blinds	4 x 1.5
Power sockets	3 x 2.5

				Last changed by GK	 Robotina d.o.o. OIC Kozina 38 SI-6240 Kozina	CABLING	Drawing number GRMS-101	Installation =
				Last changed 3/6/2024		HIQ GRMS	Pages 11	Location +
Rev	Revision text	Signature	Date	Print date 4/6/2024				Page number 12