

LD-D8-IQ

ballast controller for 8 DALI groups

Model number:	LD-D8-IQ
Mounting:	DIN rail, 2M / 35mm



Applications

- dimmable lights with DALI bus compatible ballast

Features

- 2 direct controlled groups (push-buttons) + 6 controlled from scene/app or from push button on LC-10-IQ, HC-IQ or Cybro-3/MC
- maximum 64 DALI ballasts
- internal DALI power source - no additional power source needed

General description

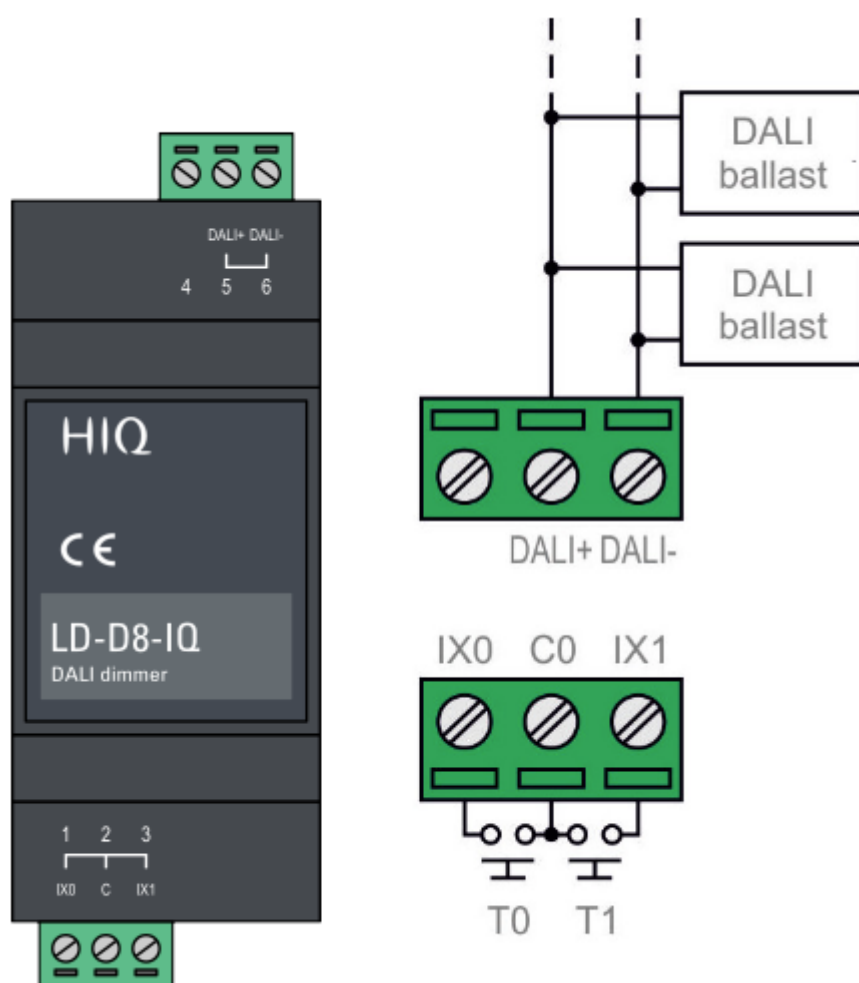
The DALI dimmer LD-D8-HIQ is HIQ module capable of controlling up to 8 individual DALI groups. Integrated DALI power supply can power up to 64 DALI ballasts. First two DALI channels are directly controlled with push-buttons connected to module digital inputs. Module can manage additional 6 DALI groups for mood-lighting, which can be controlled from applications.

Technical specification

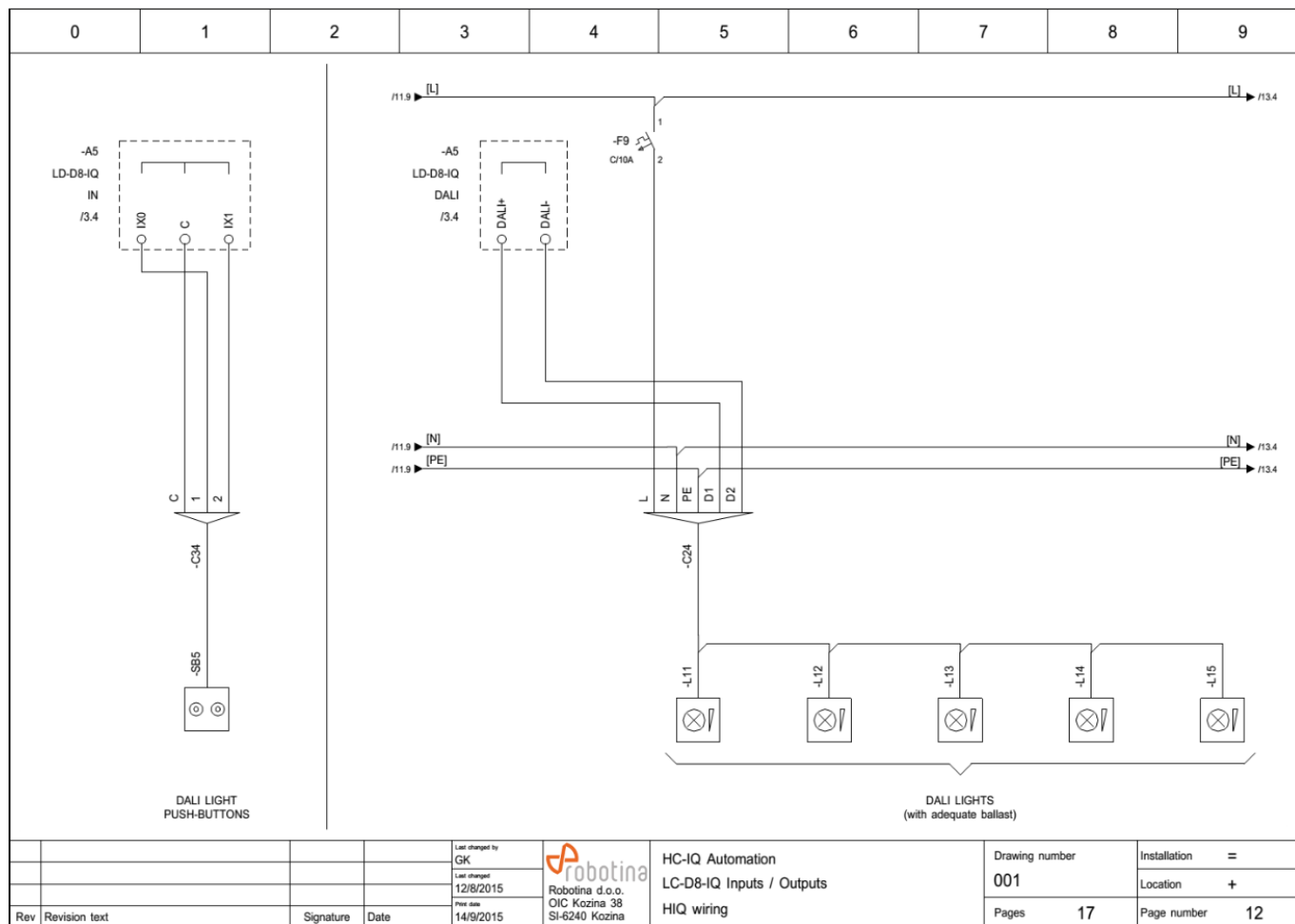
Analog inputs:	10k / 1-10 V; auto-range
Digital inputs:	internal pull-up, 12V, 2mA
Multi-sensor input:	Philips LRI8133, RJ12
DALI output:	max. 64 ballasts/200mA
Power supply:	24V/35mA (235mA with DALI)
Ingress protection:	IP20
Operating temperature:	0..45°C
Storage temperature:	-20..75°C
Relative humidity:	0..95% n/c

Terminals

DALI group 1 push-button	IX0	1	Digital input 0		4		Not connected
Push-buttons common	C	2	Inputs common	DALI bus	8	DALI+	DALI bus
DALI group 1 push-button	IX1	3	Digital input 1		9	DALI-	



Wiring diagram



Dimensions

