

BC-5-IQ

5x blinds position controller



Model number:	BC-5-IQ
Mounting:	DIN rail, 6M, 106mm

Applications

- Blinds
- Curtains
- Awnings
- Shades
- Projector screen and lift

Basically all type of bidirectional motorized blinds with built-in limit switches.

Features

- Smart short/long press positioning
- Easy travel time set-up; different times for both directions

- Optional, adjustable intermediate position
- Automatic correction at boundary position
- PC, smartphone and cloud connectivity

General description

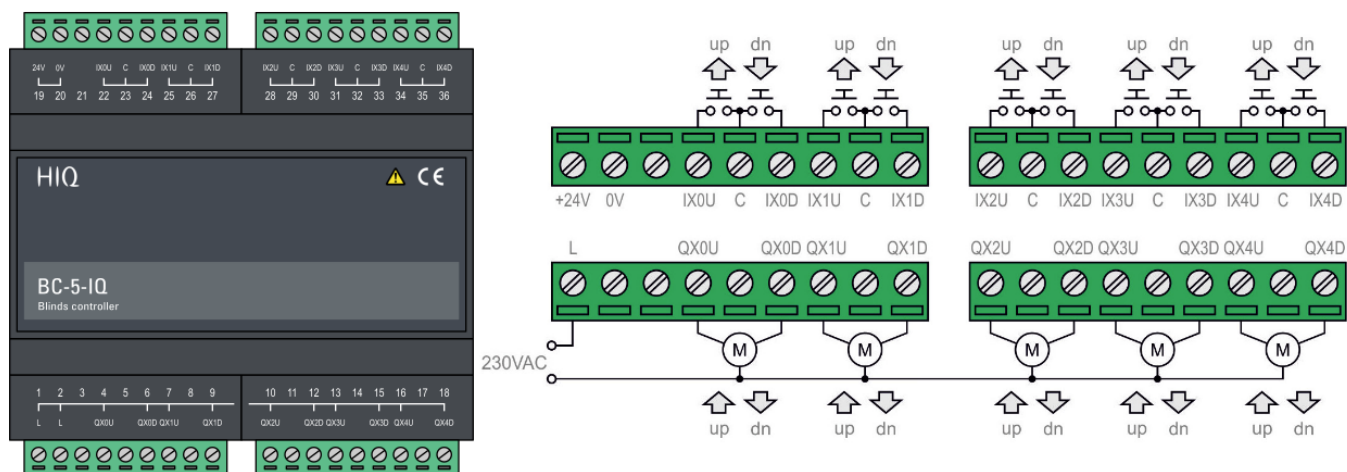
HIQ module for blinds and all kind of shadings driven by 2 way electric motor with integrated limit switches. Local control with up / down buttons. Advanced functionality including smart-phone operation, internet operation, scenes, HIQ automations, automatic weather response and more are provided when connected to HIQ Home Controller.

Technical specification

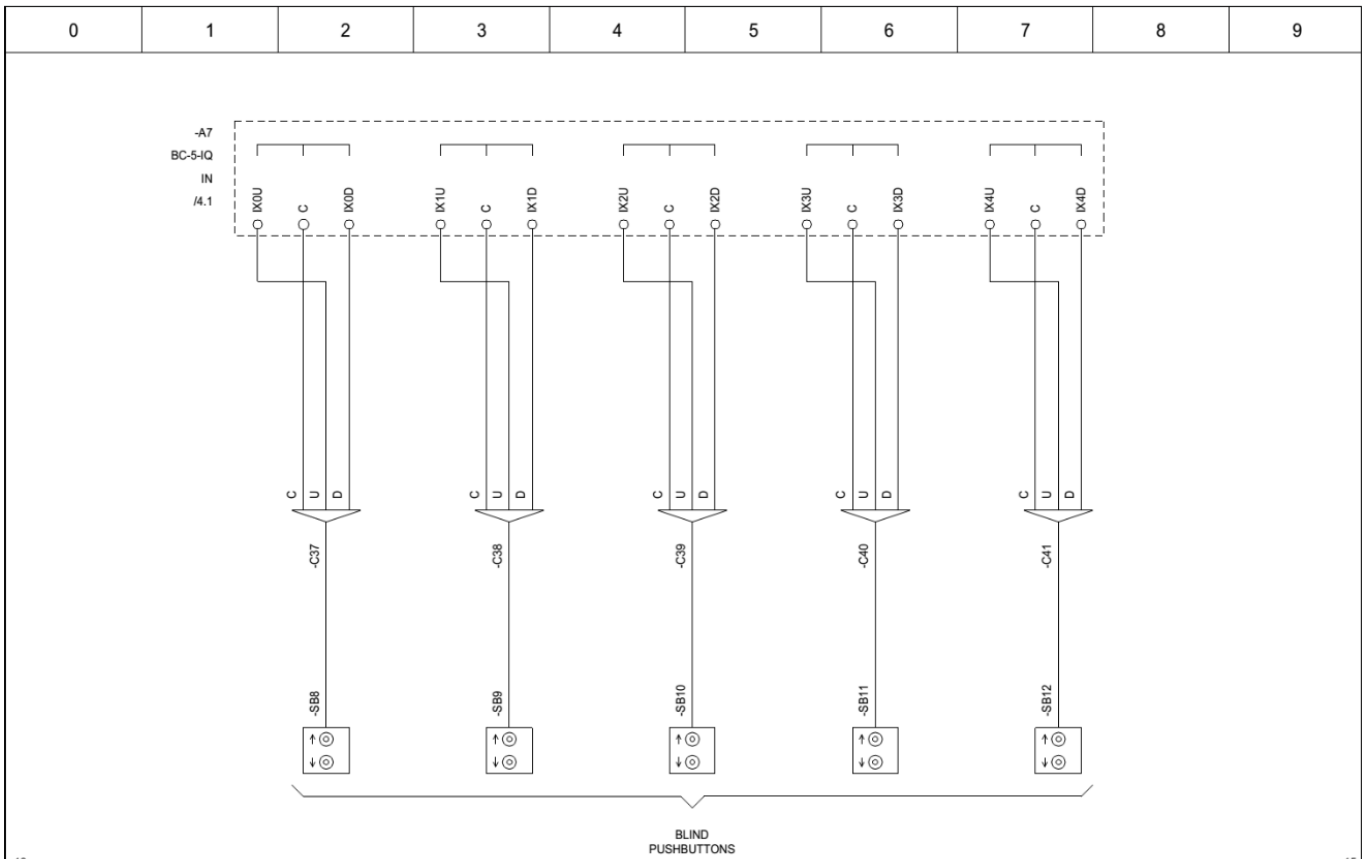
Output power per relay:	200W
Total output power (all relays):	2000W
Inputs	internal pull-up, 12V, 2mA
Maximum input cable length:	50m
Power supply:	24V / max. 95mA
Ingress protection:	IP20
Operating temperature:	0..45°C
Storage temperature:	-20..75°C
Relative humidity:	0..95% n/c

Terminals

Blinds power supply	L	1	Relay inputs common	Power supply	19	24V	+24 VDC power supply
	L	2			20	0V	0 VDC power supply
		3			21		
Blinds 0 up live	QX0U	4	Relay output 0 up	Digital input 0 up	22	IX0U	Blinds 0 up push-button
		5			23		
Blinds 0 down live	QX0D	6	Relay output 0 down	Digital input 0 down	24	IX0D	Blinds 1 down push-button
Blinds 1 up live	QX1U	7	Relay output 1 up	Digital input 1 up	25	IX1U	Blinds 2 up push-button
		8			26		
Blinds 1 down live	QX1D	9	Relay output 1 down	Digital input 1 down	27	IX1D	Blinds 3 down push-button
Blinds 2 up live	QX2U	10	Relay output 2 up	Digital input 2 up	28	IX2U	Blinds 4 up push-button
		11			29		
Blinds 2 down live	QX2D	12	Relay output 2 down	Digital input 2 down	30	IX2D	Blinds 5 down push-button
Blinds 3 up live	QX3U	13	Relay output 3 up	Digital input 3 up	31	IX3U	Blinds 6 up push-button
		14			32		
Blinds 3 down live	QX3D	15	Relay output 3 down	Digital input 3 down	33	IX3D	Blinds 7 down push-button
Blinds 4 up live	QX4U	16	Relay output 4 up	Digital input 4 up	34	IX4U	Blinds 8 up push-button
		17			35		
Blinds 4 down live	QX4D	18	Relay output 4 down	Digital input 4 down	36	IX4D	Blinds 9 down push-button

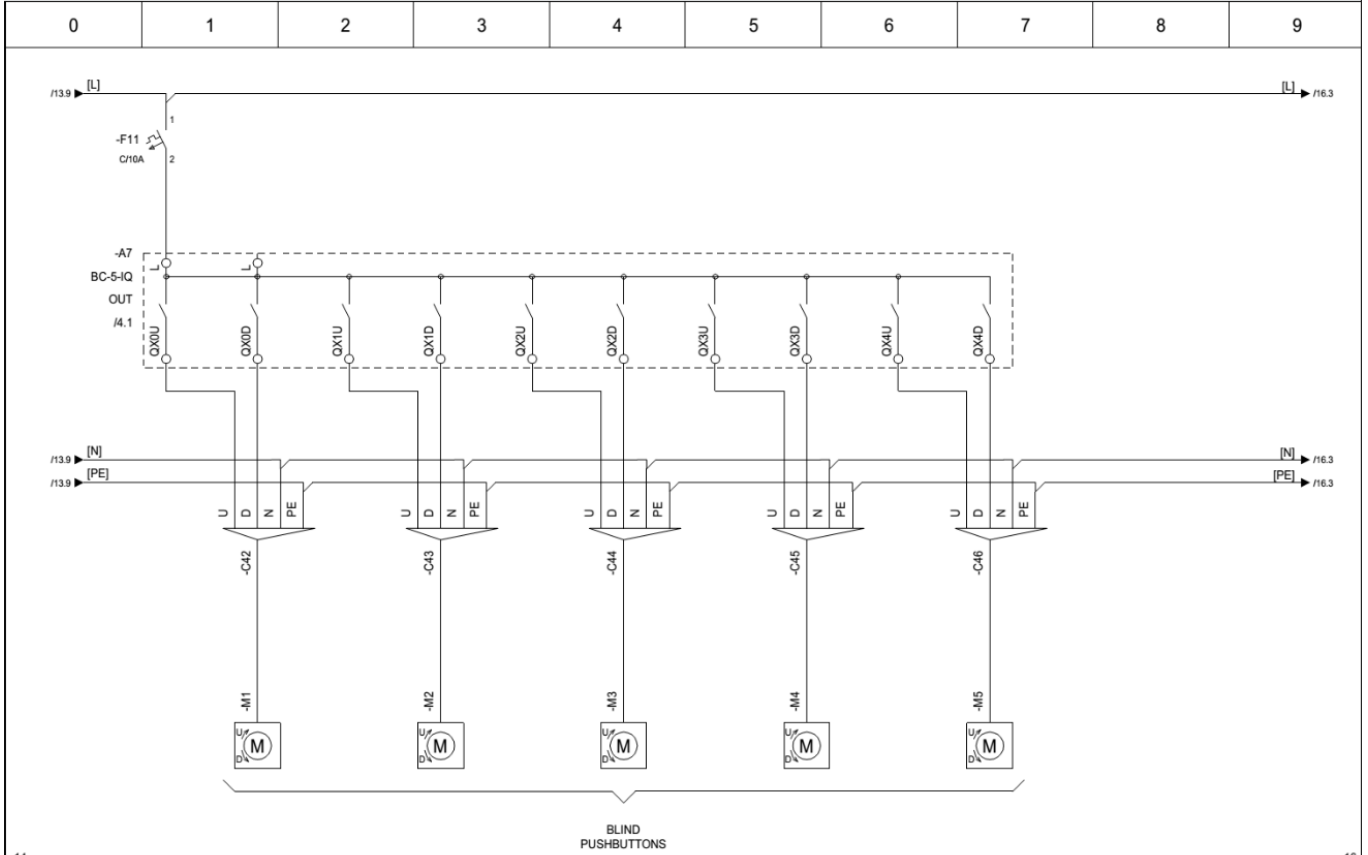


Wiring diagram



13 15

			Last changed by GK Last changed 11/8/2015 Prev date 14/9/2015		Robotina d.o.o. OIC Kozina 38 SI-6240 Kozina		HC-IQ Automation BC-5-IQ Inputs HIQ wiring		Drawing number 001 Pages 17		Installation = Location + Page number 14	
Rev	Revision text	Signature	Date									



14 16

			Last changed by GK Last changed 12/8/2015 Prev date 14/9/2015		Robotina d.o.o. OIC Kozina 38 SI-6240 Kozina		HC-IQ Automation BC-5-IQ Outputs HIQ wiring		Drawing number 001 Pages 17		Installation = Location + Page number 15	
Rev	Revision text	Signature	Date									

Dimensions

