



RDC Charger

User manual



Robotina d.o.o.
OIC-Hrpelje 38 Hrpelje
SI-6240 Kozina
Slovenia

Table of Contents

Wiring 5
 Wireless Power Sensors wiring 8
 Wireless relay wiring 10

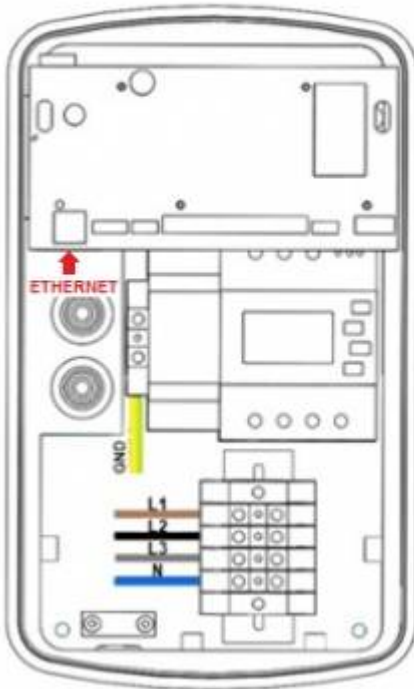
Wiring

Power supply

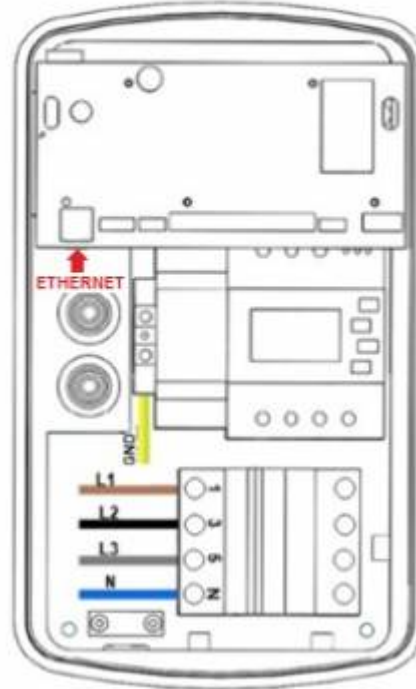
Depending on the power of the charger, choose the appropriate cross-section of the power supply cable and the appropriate fuse. The connection terminals in the charger enable the connection of a cable up to 10mm². If you have a charger model without a RCD switch, you must install it before the power supply cable.

Three-phase connection

Model without RCD



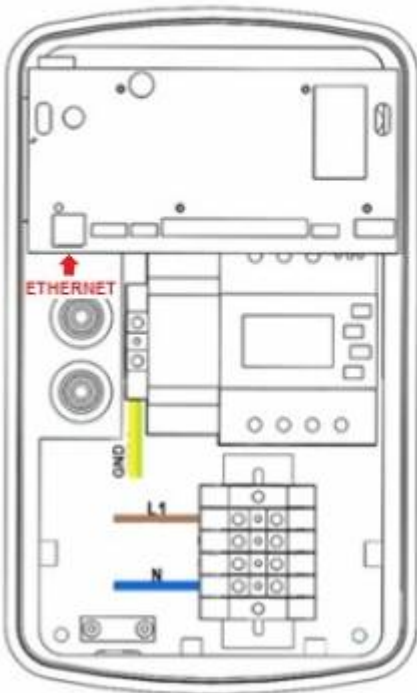
Model with RCD



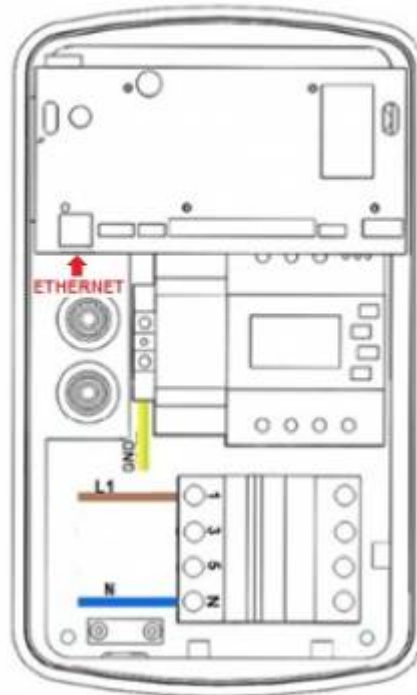
Power supply

Single-phase connection

Model without RCD

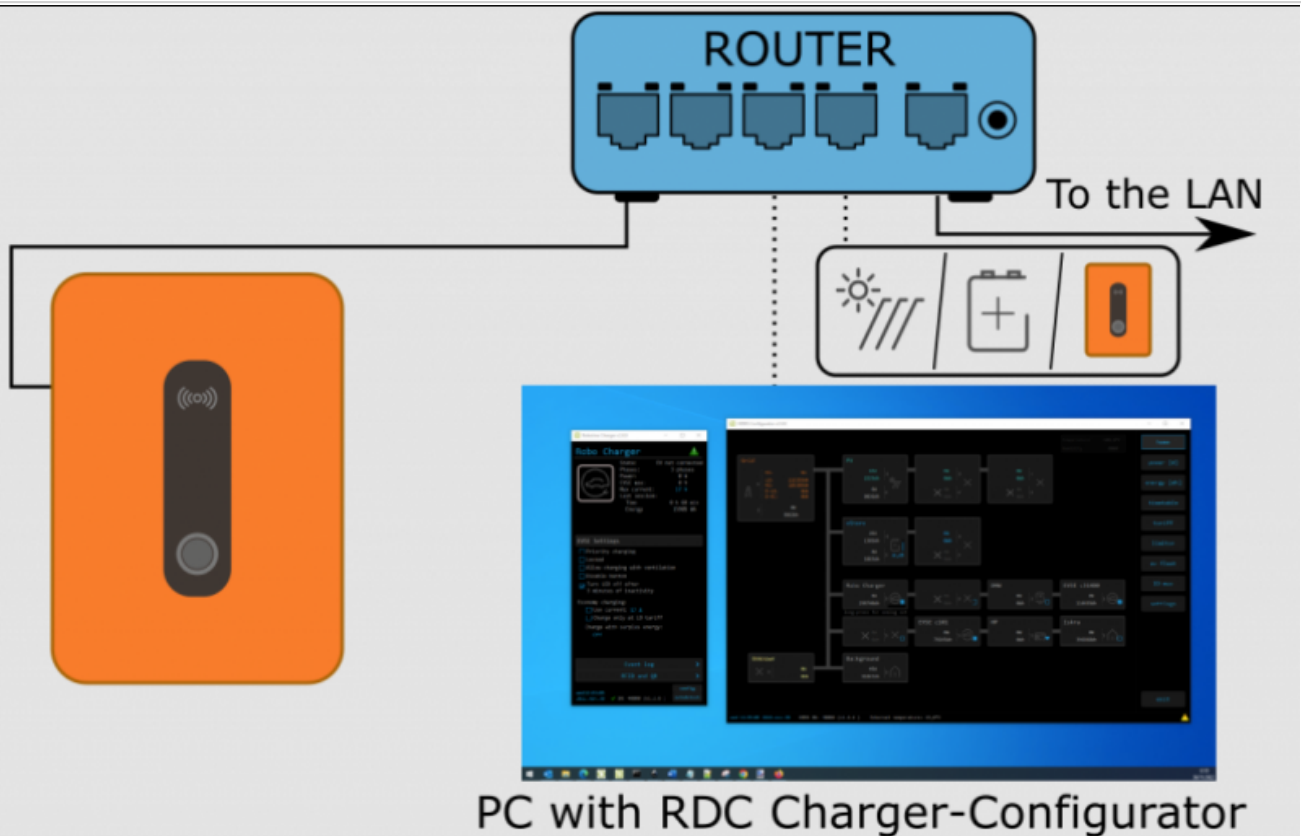


Model with RCD



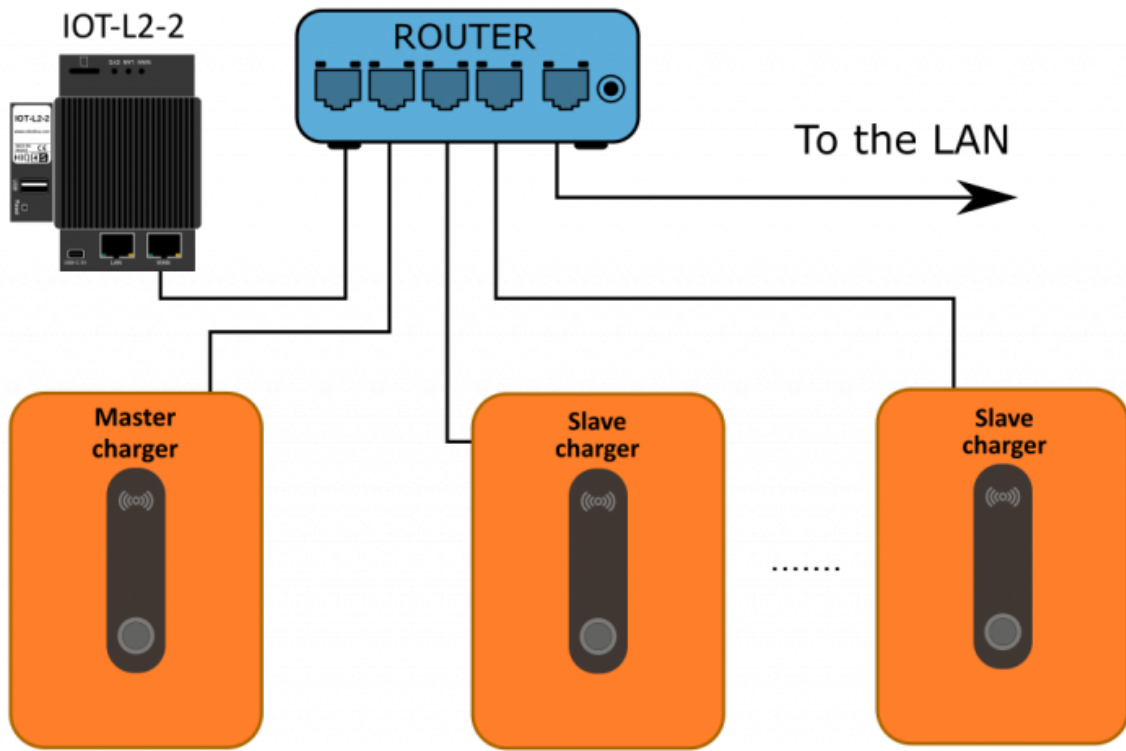
Network

Default connection to the LAN network:



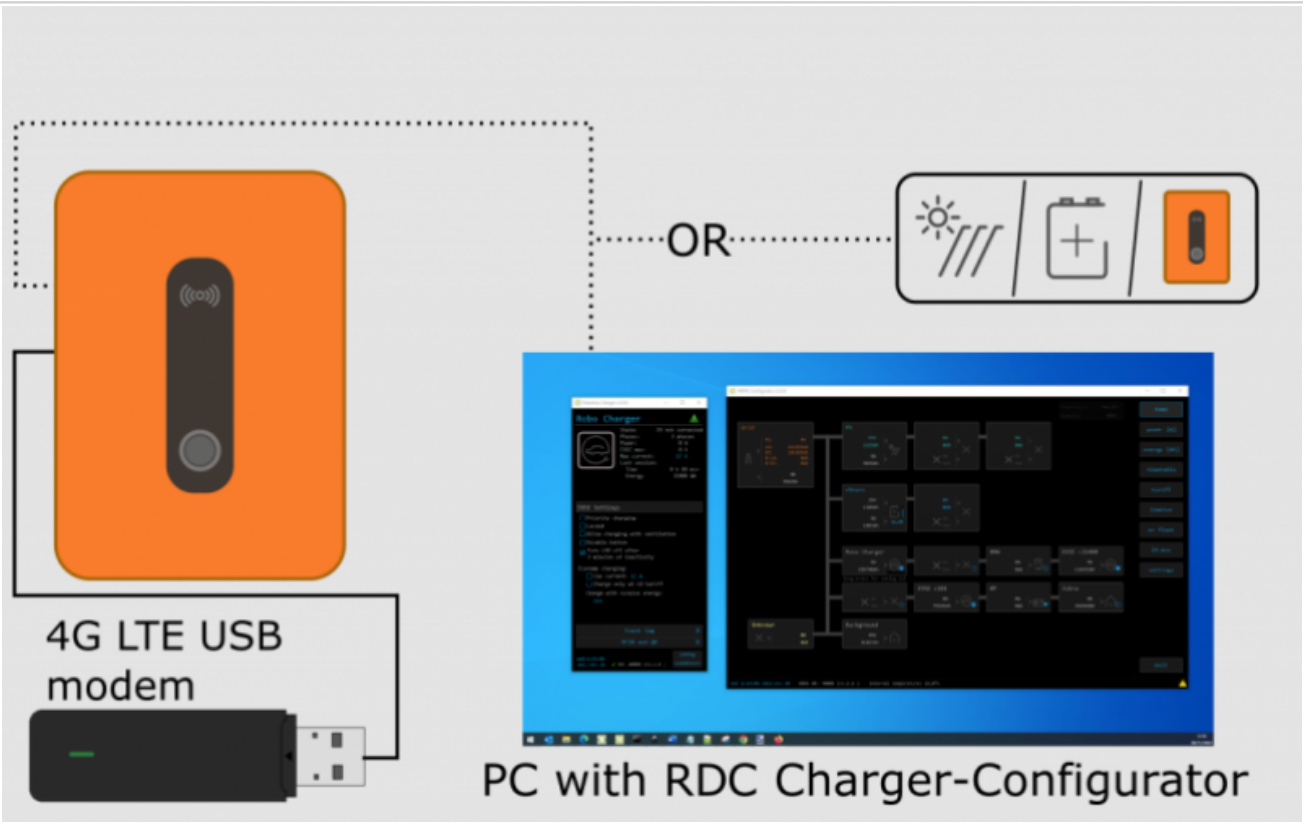
Default connection of external IOT-L2-2 linker to the LAN network:

NOTE: IOT-L2-2 linker can be installed as external unit or is integrated into the RDC Charger.

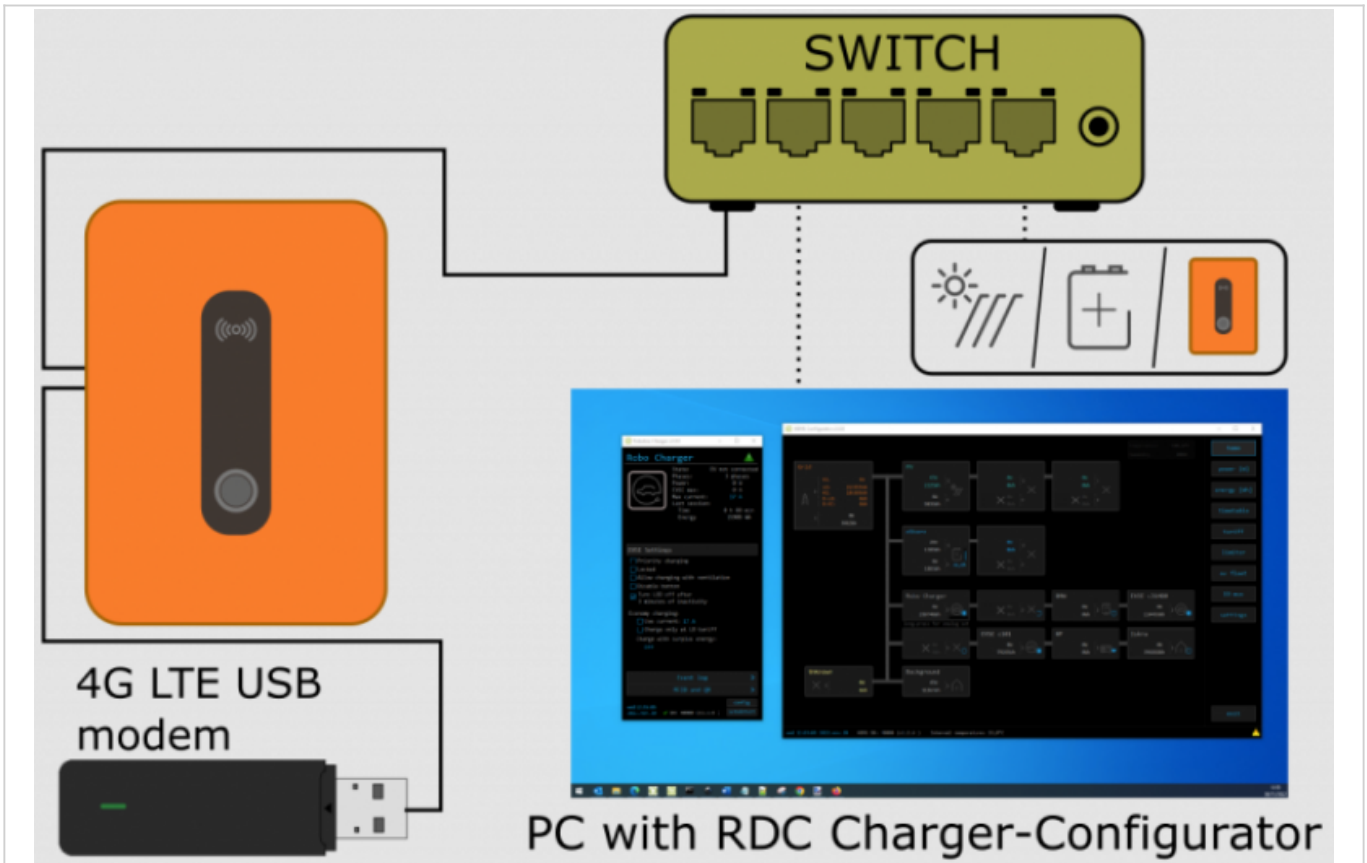


Default connection via LTE 4G modem:

NOTE: All connected devices will have internet access via LTE modem which can result in high costs on your LTE account.

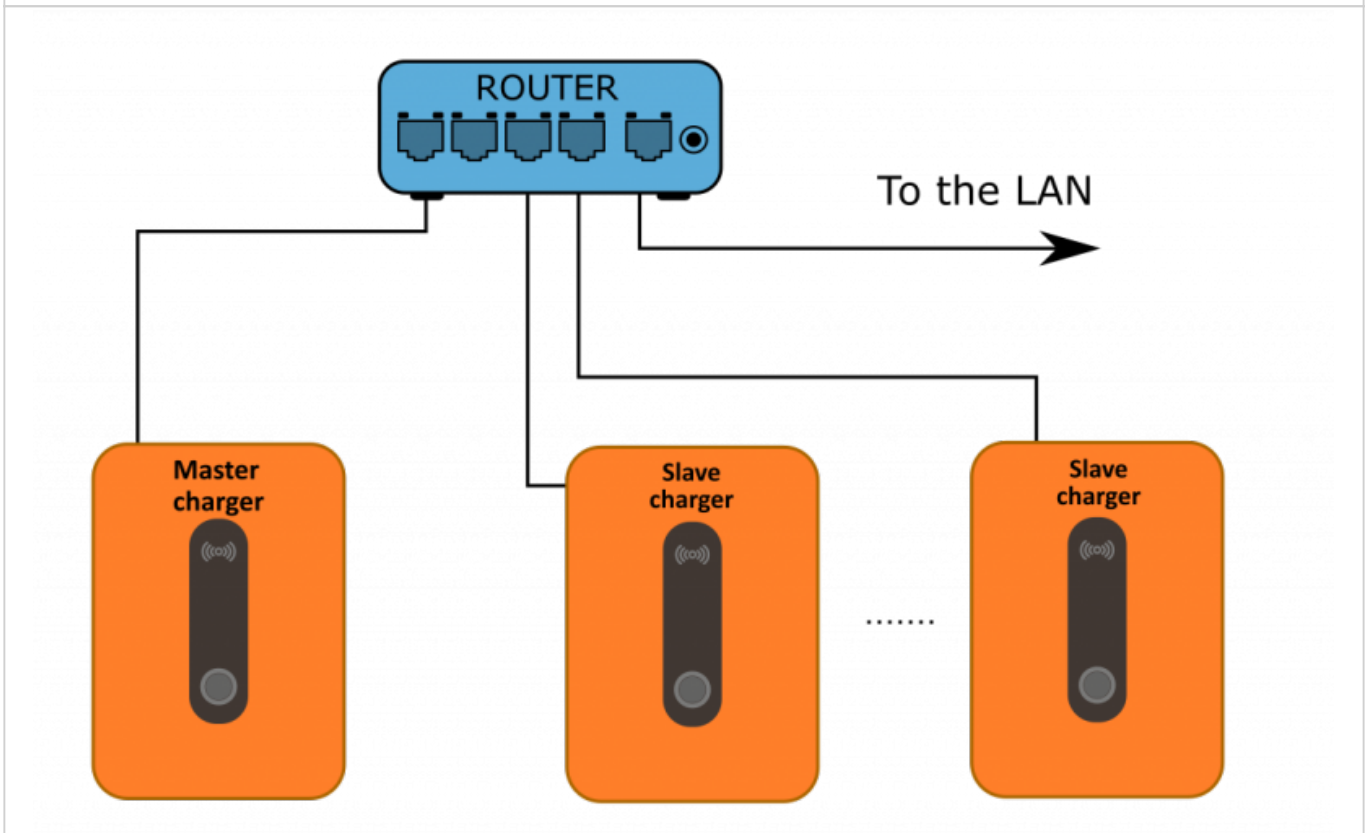


Optional LTE 4G modem connection:



EV fleet connection

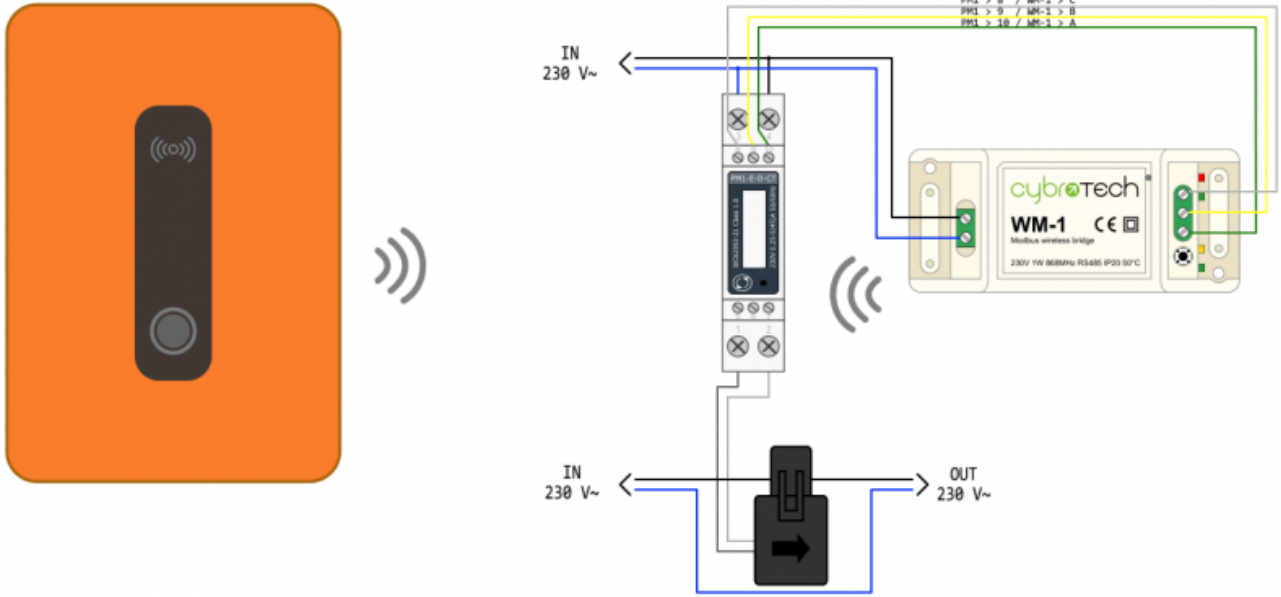
Control up to 8 RDC Chargers (EV fleet). Only one charger is master, others are slave. All chargers in fleet must be wired with ethernet cable to the same router.



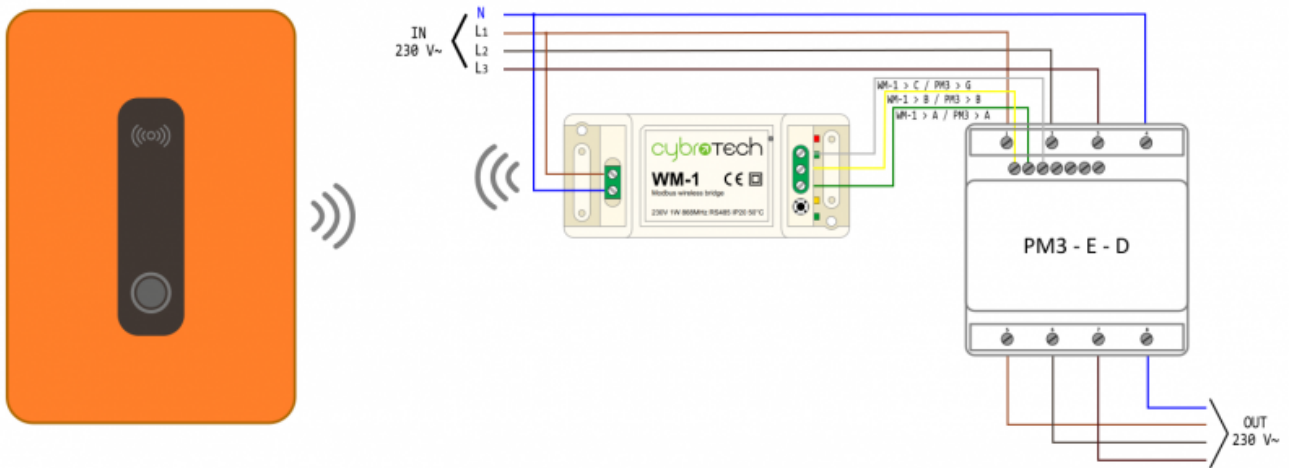
Wireless Power Sensors wiring

Wireless power sensors

Single phase power-sensor with current transformer [PM1-E-D-CT](#)



3-phase power-sensor **PM3-E-D**

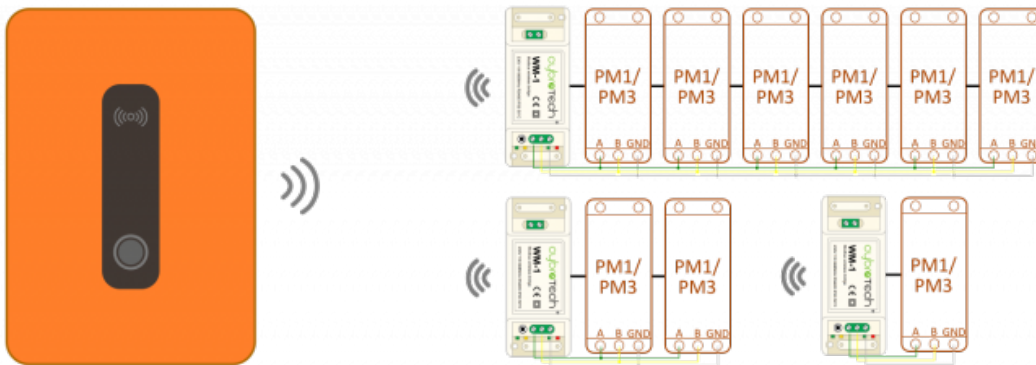


3-phase power-sensor with CT **PM3-E-D-CT**

[rc_wm1_3ph_ct.png800_direct](#)

Charger and wireless power sensors.

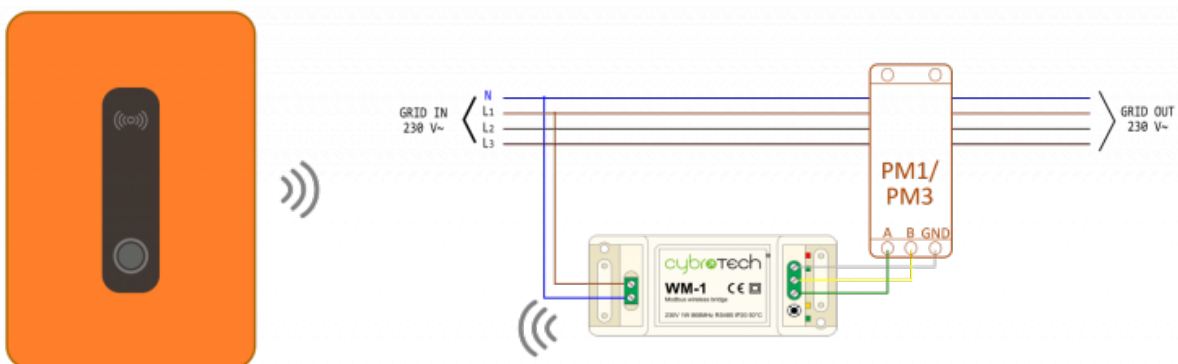
One or more **WM-1** modules can be used. One or more power sensors can be connected to one **WM-1**.



Dynamic load management

Charger and grid power sensor.

NOTE Power sensor should be mounted in the building's electrical cabinet to measure input power & current



Wireless relay wiring

Wireless relay

Charger and wireless relay.
Up to 8 **WR-1** modules can be used.

Wireless relay



Power sensors orientation

