



# RDC Charger

## User manual



**Robotina d.o.o.**  
OIC-Hrpelje 38 Hrpelje  
SI-6240 Kozina  
Slovenia



---

# Table of Contents

**Wiring** ..... 5  
    ***Wireless Power Sensors wiring*** ..... 8  
    ***Wireless relay wiring*** ..... 10



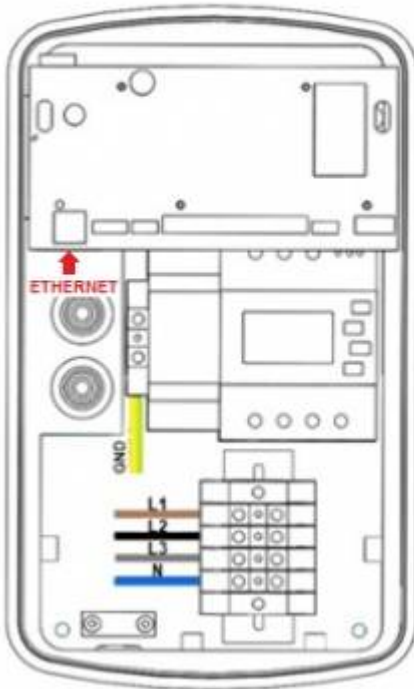
# Wiring

## Power supply

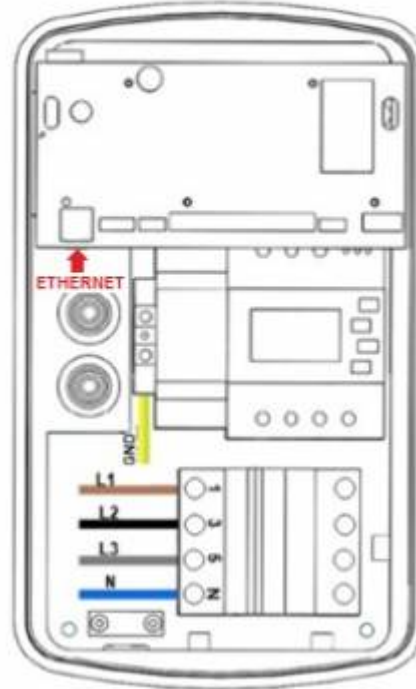
Depending on the power of the charger, choose the appropriate cross-section of the power supply cable and the appropriate fuse. The connection terminals in the charger enable the connection of a cable up to 10mm<sup>2</sup>. If you have a charger model without a RCD switch, you must install it before the power supply cable.

### Three-phase connection

Model without RCD



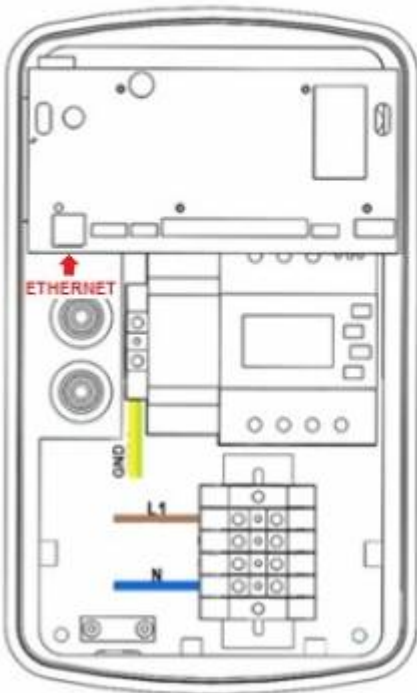
Model with RCD



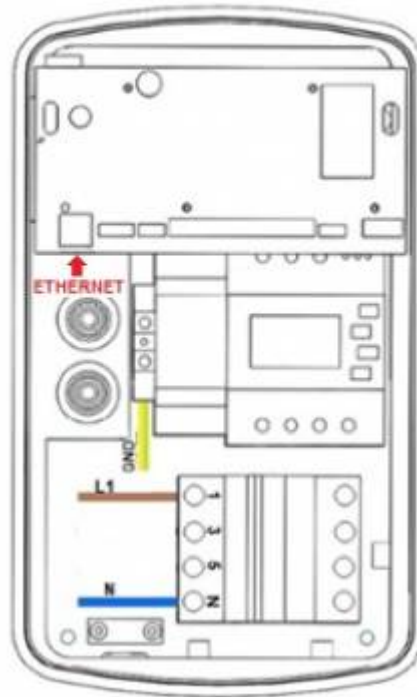
**Power supply**

Single-phase connection

Model without RCD

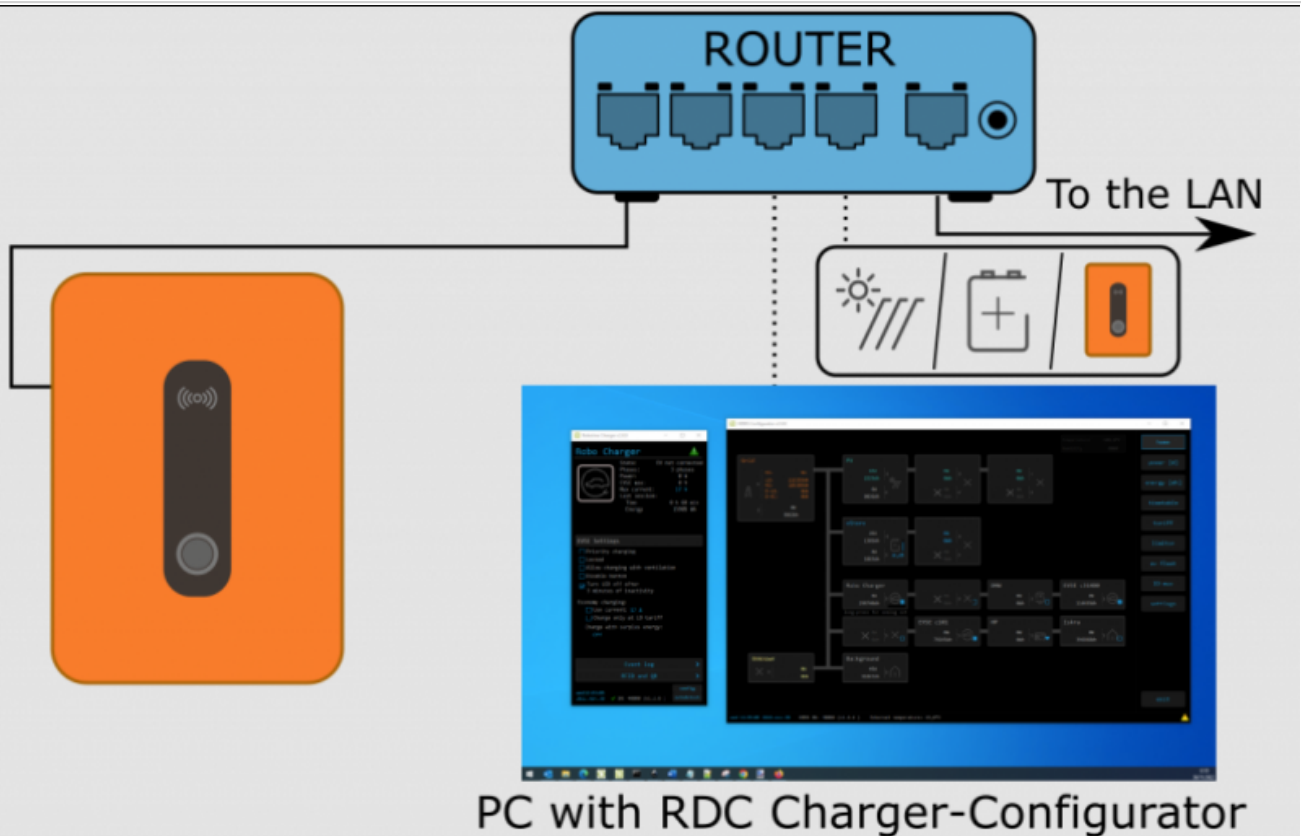


Model with RCD



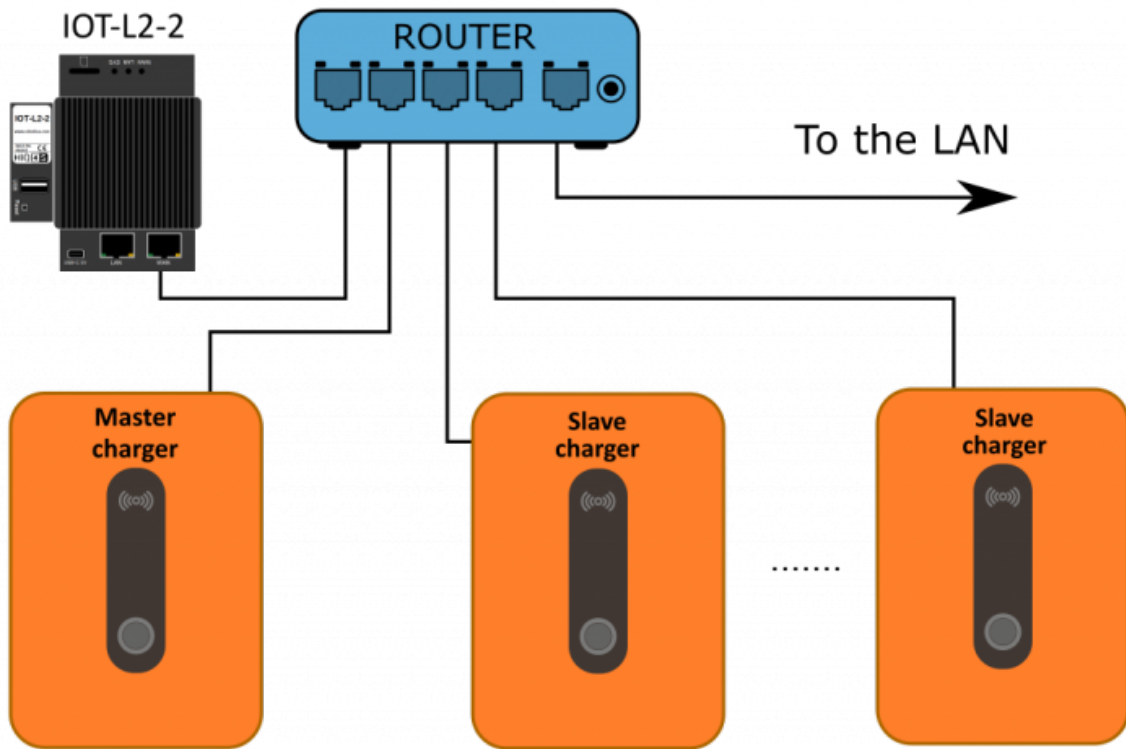
**Network**

Default connection to the LAN network:



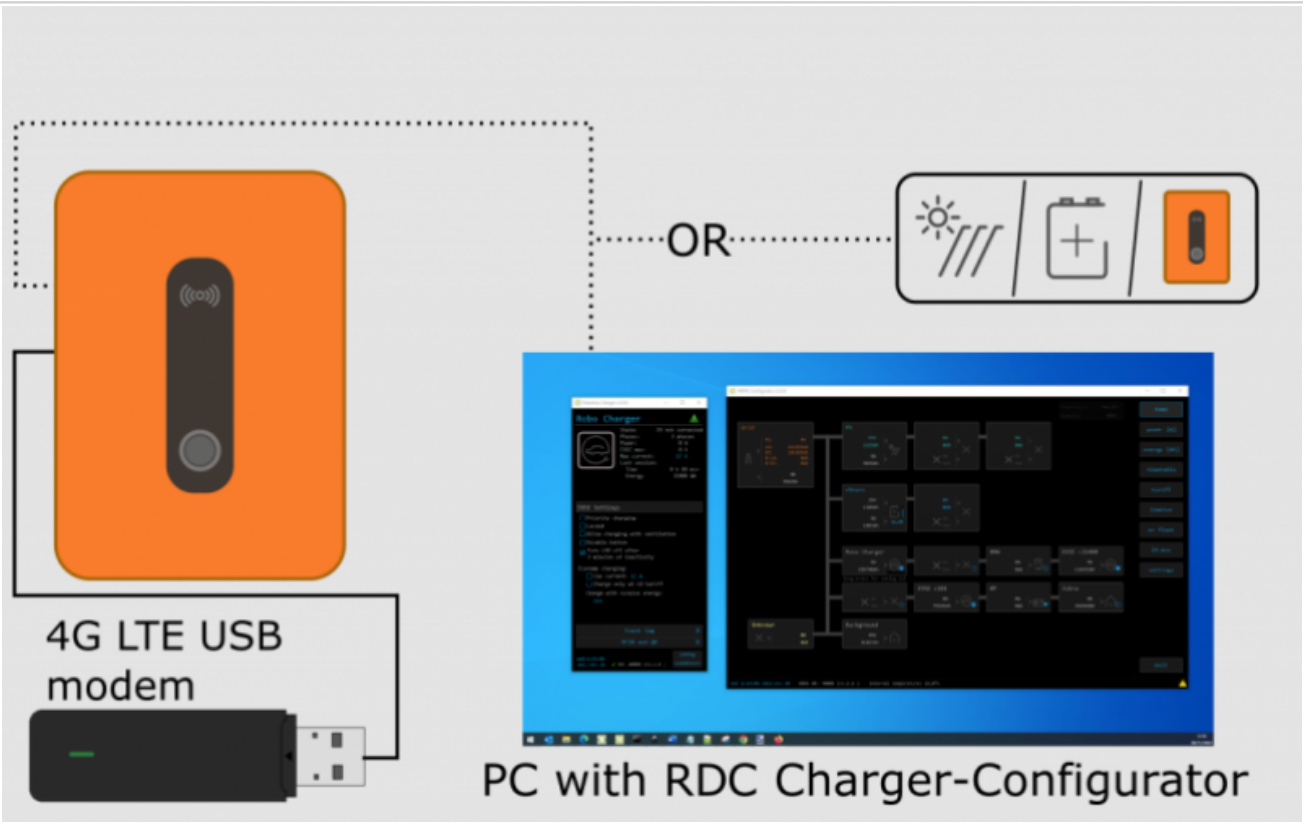
Default connection of external IOT-L2-2 linker to the LAN network:

**NOTE:** IOT-L2-2 linker can be installed as external unit or is integrated into the RDC Charger.

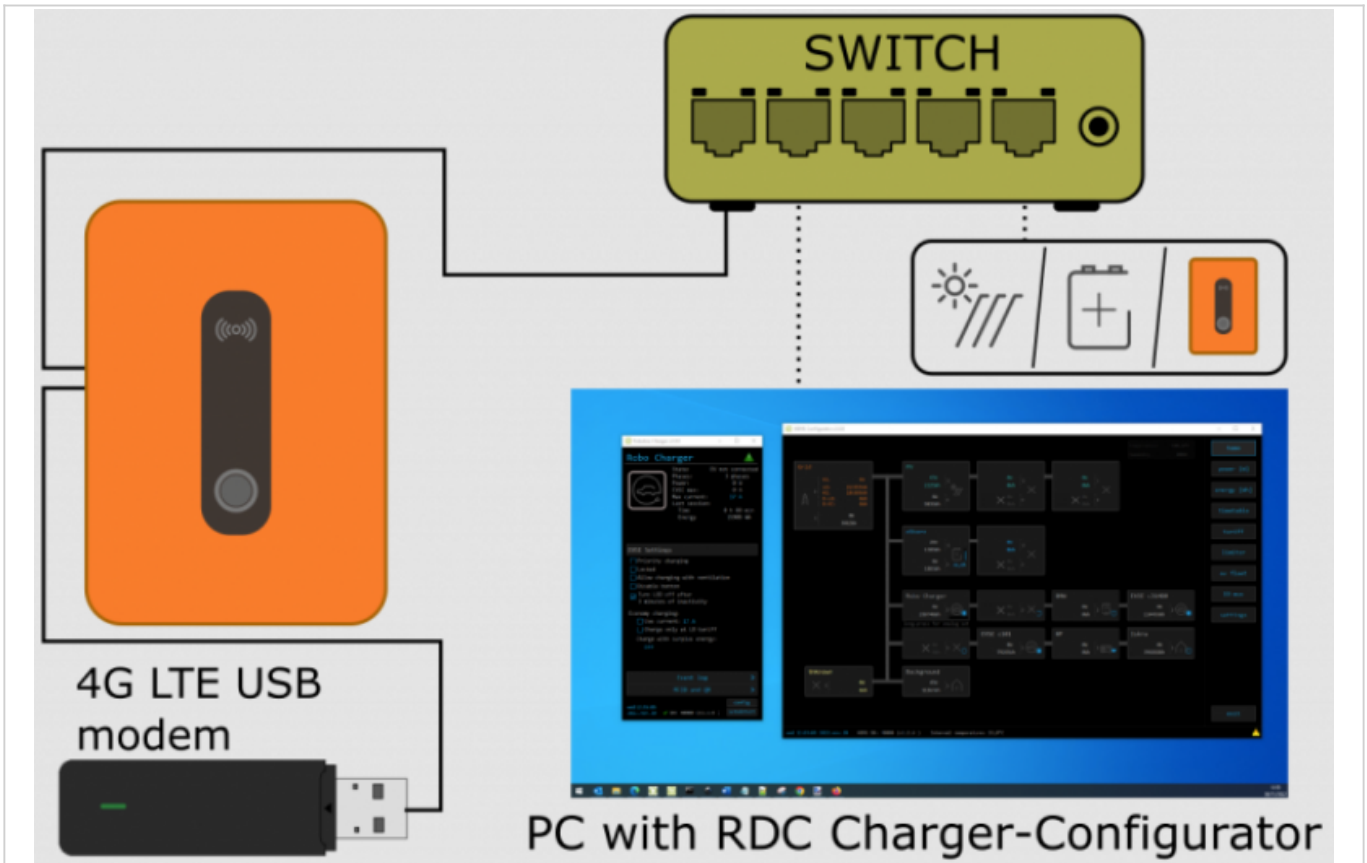


Default connection via LTE 4G modem:

**NOTE:** All connected devices will have internet access via LTE modem which can result in high costs on your LTE account.

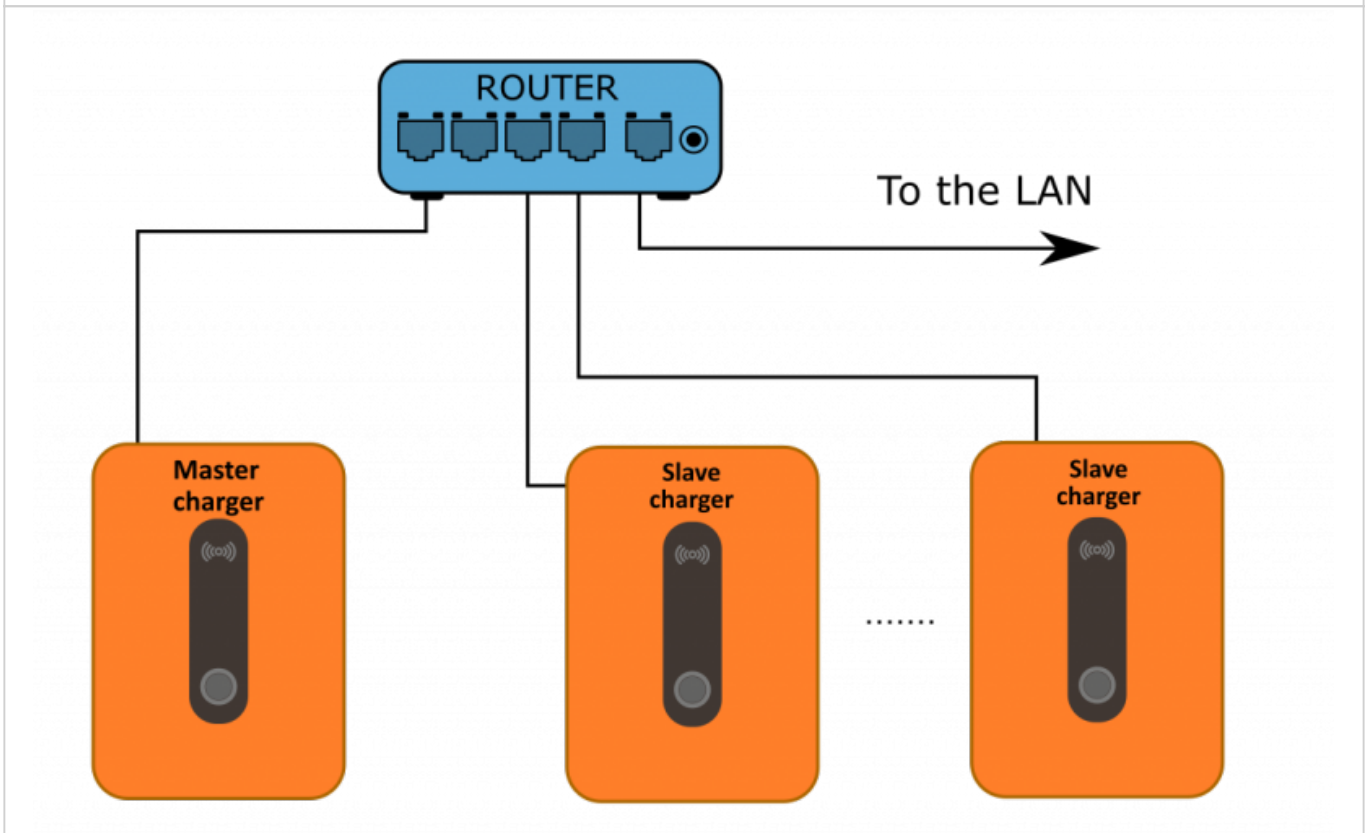


Optional LTE 4G modem connection:



**EV fleet connection**

Control up to 8 RDC Chargers (EV fleet). Only one charger is master, others are slave. All chargers in fleet must be wired with ethernet cable to the same router.



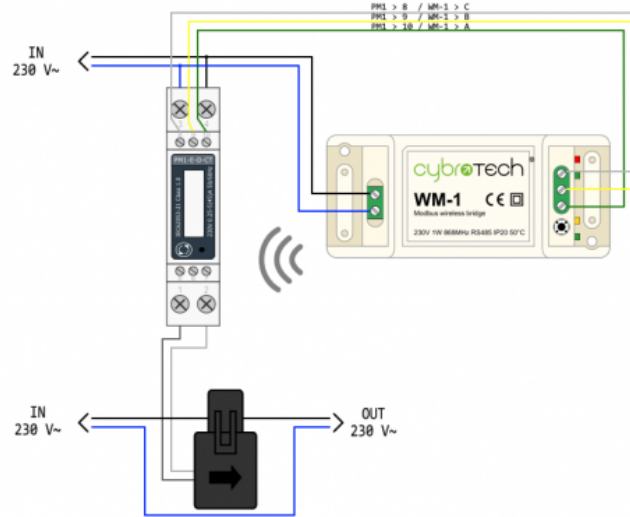
**Wireless Power Sensors wiring**



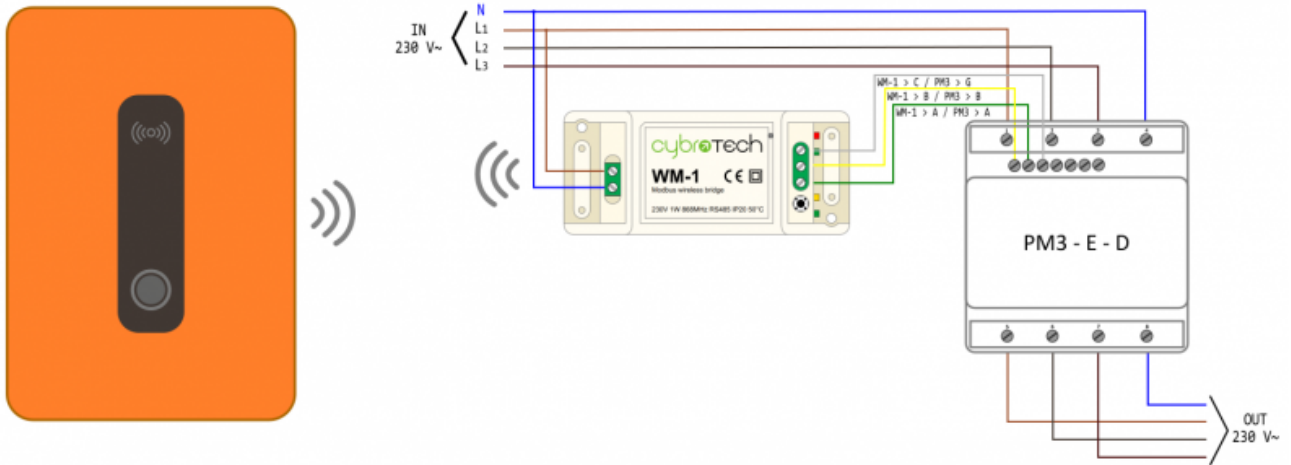
**Wireless power sensors**

Single phase power-sensor, CT

PM1-E-D-CT]]

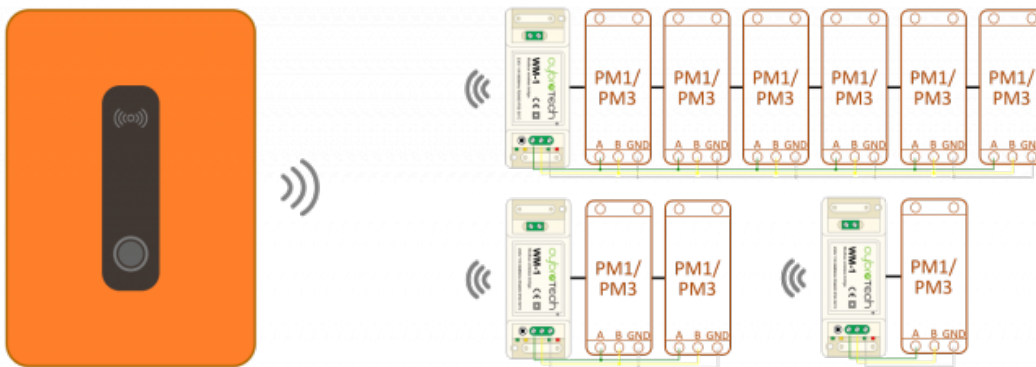


3-phase power-sensor **PM3-E-D**



Charger and wireless power sensors.

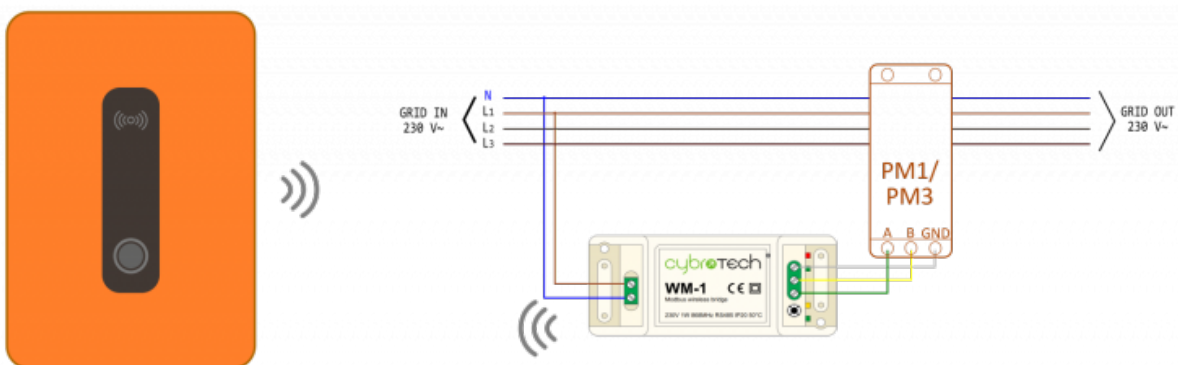
One or more **WM-1** modules can be used. One or more power sensors can be connected to one **WM-1**.



**Dynamic load management**

Charger and grid power sensor.

**NOTE** Power sensor should be mounted in the building's electrical cabinet to measure input power & current



**Wireless relay wiring**

**Wireless relay**

Charger and wireless relay.  
Up to 8 **WR-1** modules can be used.

**Wireless relay**



**Power sensors orientation**

