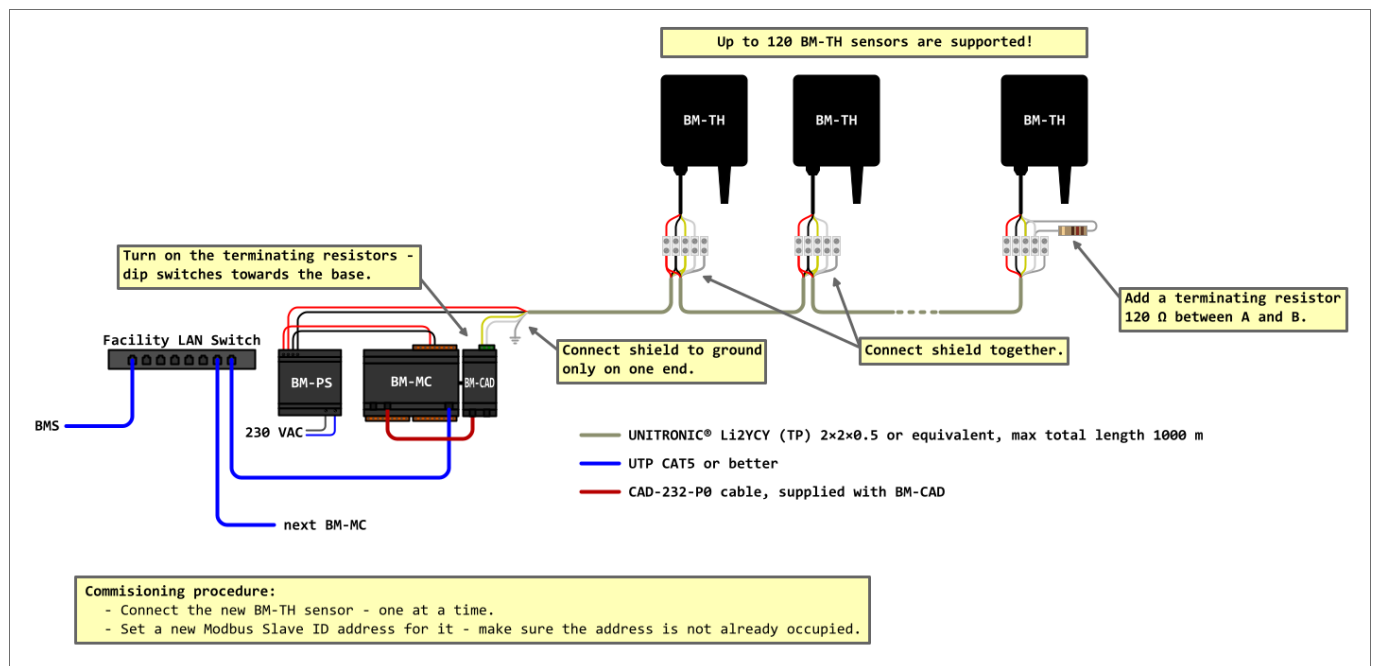


Temperature and humidity monitoring

The system is intended for monitoring temperatures and relative humidity in rack cabinets of data centers. Allows connection of up to 120 sensors to one controller. The number of controllers per system is practically unlimited.

HW and wiring



SW (TH-MC & Configurator)

Main page



1	New sensor
2	Sensor table - Select empty single cell to Assign new sensor to cell or select assigned cer to un-assign (only if new sensor is empty)
3	Statistics of all sensors.



Press
 [Assi
 gn]
 to

assign
new
sensor
to
selected
cell
001.



Press
[Unassign]
to
move
selected
sensor
001
to
New
sensor.



Press
[Clear
Alarms]
to
clear
alarms
from
selected
cell.

Multiple
cells
can
be
selected.



Press
[Clear
error]

to
clear
error
s
from
selec
ted
cell.

Multi
ple
cells
can
be
selec
ted.

Events list

MC put all events (sensors move and alarms) in FIFO list (100 events in total). On Configurator page Events last 25 events are shown.



System

System overview and settings.



1	System settings: - MC serial number - SW version - MC Kernel version - MC IP
2	MC RTC Important for event logger
3	Permanent memory management: Alarm settings are stored to permanent (EEPROM) memory
4	Alarm settings Set to 0 to disable alarm or alarm clear functionality.