



RDC Charger

User manual



Robotina d.o.o.
OIC-Hrpelje 38 Hrpelje
SI-6240 Kozina
Slovenia

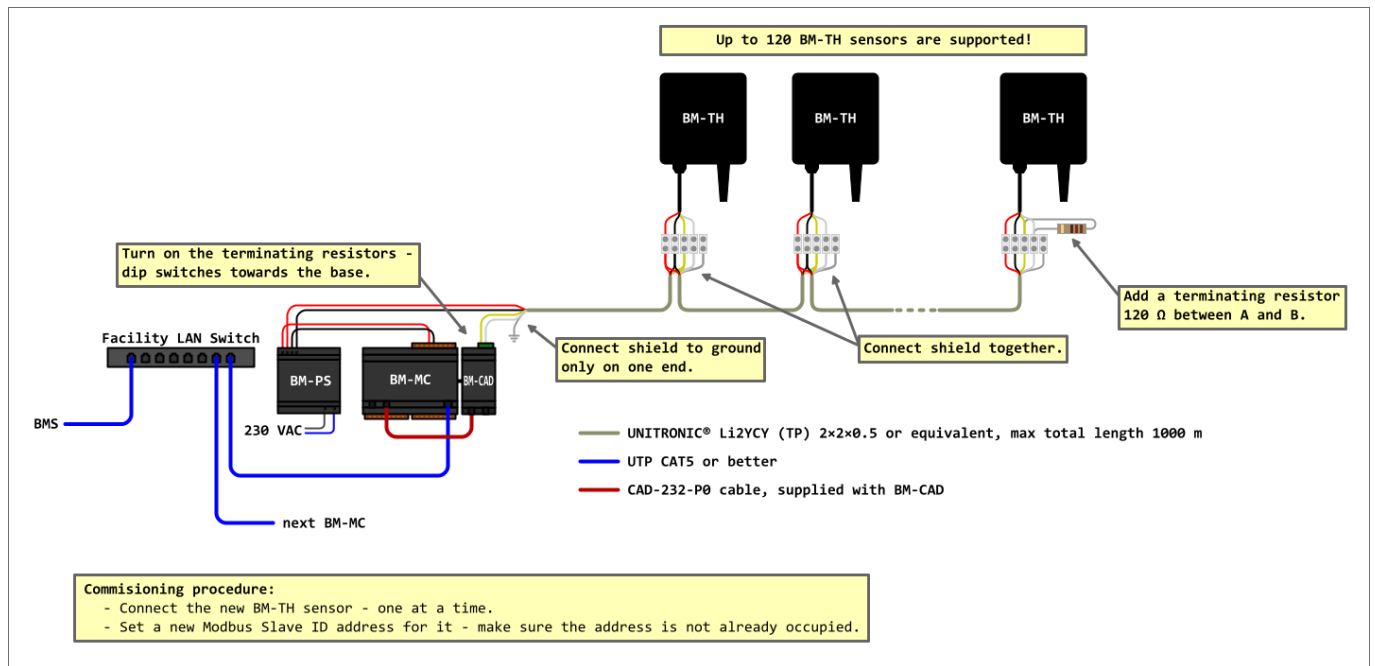
Table of Contents

Temperature and humidity monitoring	5
<i>HW and wiring</i>	5
<i>SW (TH-MC & Configurator)</i>	5
Main page	5
Events list	7
System	7

Temperature and humidity monitoring

The system is intended for monitoring temperatures and relative humidity in rack cabinets of data centers. Allows connection of up to 120 sensors to one controller. The number of controllers per system is practically unlimited.

HW and wiring



SW (TH-MC & Configurator)

Main page



1	New sensor
2	Sensor table - Select empty single cell to Assign new sensor to cell or select assigned cer to un-assign (only if new sensor is empty)
3	Statistics of all sensors.



Press [Assign] to assign new sensor

r to
selec
ted
cell
001.



Press
[Unas
sign]
to
move
selec
ted
senso
r 001
to
New
senso
r.



Press
[Clea
r
Alarm
s] to
clear
alarm
s
from
selec
ted
cell.

Multi
ple
cells
can
be
selec
ted.



Press
[Clea
r
error]
to
clear
error
s

from
selec
ted
cell.

Multi
ple
cells
can
be
selec
ted.

Events list

MC put all events (sensors move and alarms) in FIFO list (100 events in total). On Configurator page Events last 25 events are shown.



System

System overview and settings.



1	System settings: - MC serial number - SW version - MC Kernel version - MC IP
2	MC RTC Important for event logger
3	Permanent memory management: Alarm settings are stored to permanent (EEPROM) memory
4	Alarm settings Set to 0 to disable alarm or alarm clear functionality.