



# RDC Charger

## User manual



**Robotina d.o.o.**  
OIC-Hrpelje 38 Hrpelje  
SI-6240 Kozina  
Slovenia

---



## Table of Contents

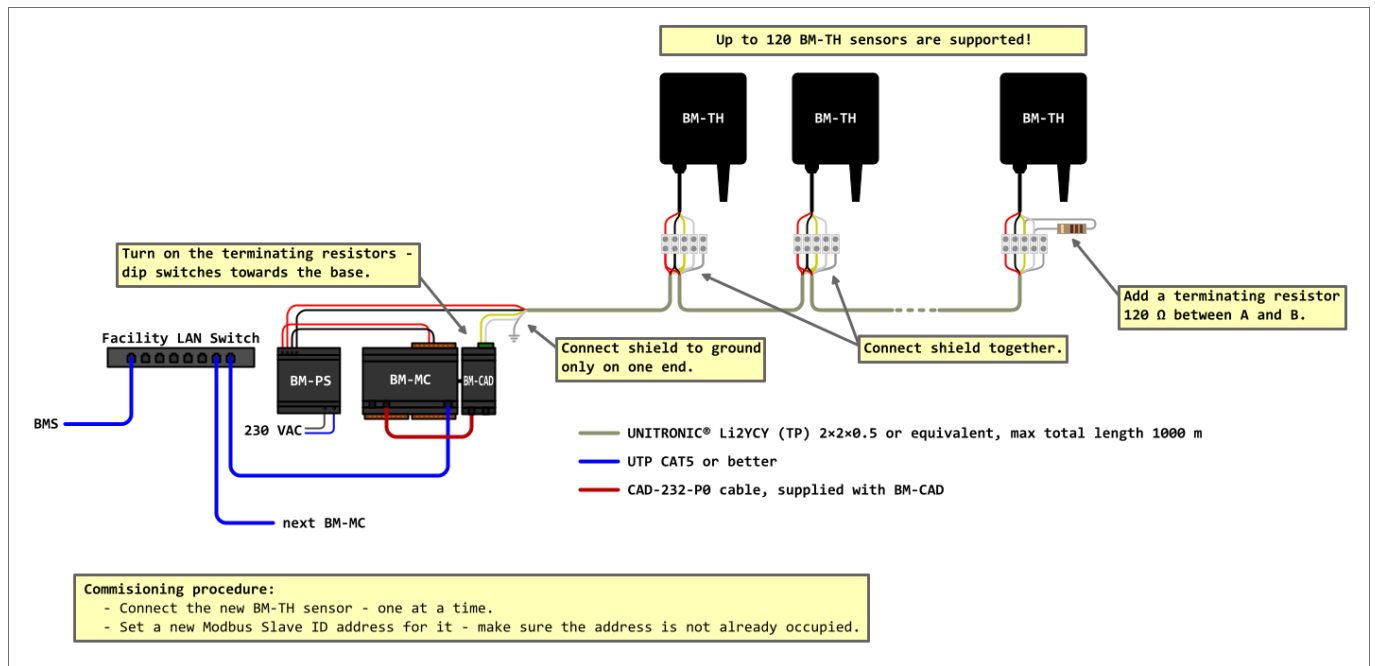
<b>Temperature and humidity monitoring</b> .....	5
<b><i>HW and wiring</i></b> .....	5
<b><i>SW (TH-MC &amp; Configurator)</i></b> .....	5
Main page .....	5
Events list .....	7
System .....	7



# Temperature and humidity monitoring

The system is intended for monitoring temperatures and relative humidity in rack cabinets of data centers. Allows connection of up to 120 sensors to one controller. The number of controllers per system is practically unlimited.

## HW and wiring



## SW (TH-MC & Configurator)

### Main page



<b>1</b>	New sensor
<b>2</b>	Sensor table - Select empty single cell to Assign new sensor to cell or select assigned cer to un-assign (only if new sensor is empty)
<b>3</b>	Statistics of all sensors.



Press [Assign] to assign new sensor

r to  
selec  
ted  
cell  
001.



Press  
[Unas  
sign]  
to  
move  
selec  
ted  
senso  
r 001  
to  
New  
senso  
r.



Press  
[Clea  
r  
Alarm  
s] to  
clear  
alarm  
s  
from  
selec  
ted  
cell.

Multi  
ple  
cells  
can  
be  
selec  
ted.



Press  
[Clea  
r  
error]  
to  
clear  
error  
s

from  
selec  
ted  
cell.

Multi  
ple  
cells  
can  
be  
selec  
ted.

## Events list

MC put all events (sensors move and alarms) in FIFO list (100 events in total). On Configurator page Events last 25 events are shown.



## System

System overview and settings.



<b>1</b>	System settings: - MC serial number - SW version - MC Kernel version - MC IP
<b>2</b>	MC RTC Important for event logger
<b>3</b>	Permanent memory management: Alarm settings are stored to permanent (EEPROM) memory
<b>4</b>	Alarm settings Set to 0 to disable alarm or alarm clear functionality.