



RDC Charger

User manual



Robotina d.o.o.
OIC-Hrpelje 38 Hrpelje
SI-6240 Kozina
Slovenia

Table of Contents

BM-TH 5
Highlights & Features 5
Technical specification 5
Wiring 6

BM-TH

BTMS Temperature and humidity sensor



Order code:	BM-TH
Mounting:	On wall
Dimensions:	135 × 150 × 45 mm

Highlights & Features

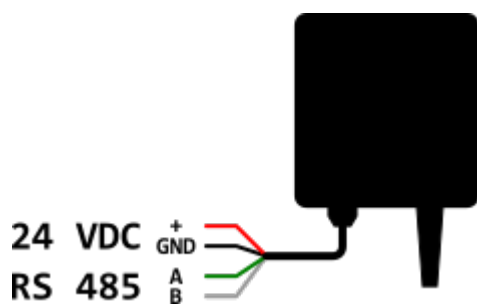
- High measurement accuracy
- Integrated use of temperature and humidity
- Superior performance, good long-term stability

Technical specification

Supply voltage	10 .. 30 VDC	
Power consumption:	0.4 W max	
Temperature measuring	Range	-40 .. +80 °C
	Precision	± 0.5 °C (25 °C)
	Resolution	0.1 °C
	Long term stability	≤ 0.1 °C / year
	Response time	≤ 18/s (1 m/s wind speed)

Humidity measuring	Range	0 .. 100 % RH
	Precision	± 3 %RH (5 .. 95 %RH, 25 °C)
	Resolution	0.1 %RH
	Long term stability	≤ 0.1 %RH / year
	Response time	≤ 6 seconds (1 m/s wind speed)
Dimensions:	housing width	110 mm
	max width	135 mm
	housing height	100 mm
	max height	150 mm
	depth	45 mm

Wiring



Red	Vcc
Black	GND
Green	RS 485 A
White	RS 485 B