



# RDC Charger

## User manual



**Robotina d.o.o.**  
OIC-Hrpelje 38 Hrpelje  
SI-6240 Kozina  
Slovenia



## Table of Contents

<b>BM-GW</b> .....	5
<b><i>Highlights &amp; Features</i></b> .....	5
<b><i>System specifications</i></b> .....	6
<b><i>HW Technical specification</i></b> .....	6
<b><i>Wiring</i></b> .....	9



# BM-GW

## BTMS IOT Gateway



Order code:	<b>BM-GW-01</b>	NO GSM modem
	<b>BM-GW-02</b>	With GSM modem
Mounting:	DIN rail, 31 mm	
Dimensions:	31 × 125 × 100 mm	

## Highlights & Features

- Local WEB UI
  - real-time data display

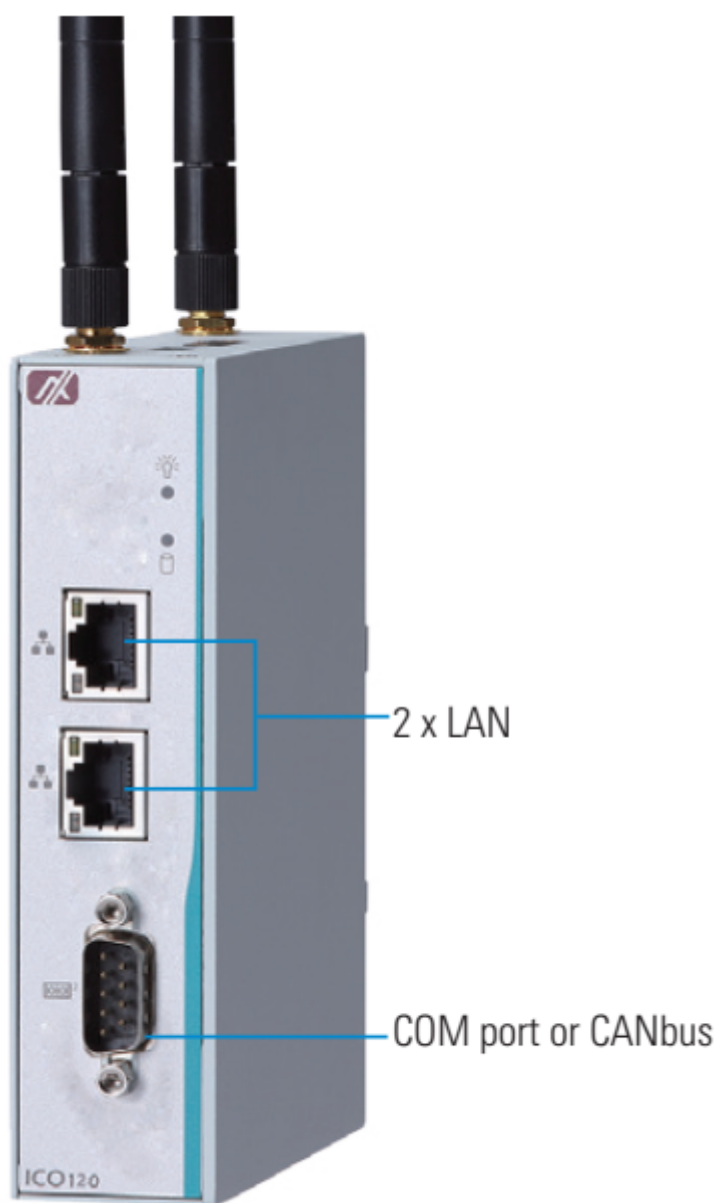
- data logging
- history data display (tables, time-plots)
- history and real-time data download
- e-mail, SMS alarming
- Robust and safe connection of BTMS system to BTMS cloud platform.
- Secure access and communication (TLS encryption)
- Local data buffer, no data loss
- User data safety according to GDPR
- Secure remote access to BM-C controllers

## System specifications

- Up to:
  - **32strings arbitrarily distributed on several UPSs**
  - **120 batteries / string** (3840 batteries / system)
  - **Temperature and humidity** sensor for each string
- Logging data for one year by automatically deleting old data
- Send e-mail and SMS alarms directly from the device

## HW Technical specification

<b>Power supply:</b>	12 to 24 VDC, 1.39-0.72A	
<b>Construction:</b>	Extruded aluminum and heavy-duty steel, IP30	
<b>CPU:</b>	Intel® Celeron® N3350 2C @1.1 GHz, TDP: 6W	
<b>System Memory:</b>	1 x DDR3L-1866 SO-DIMM 4 GB	
<b>Storage:</b>	128 GB SSD	
<b>System I/O Outlet:</b>	Serial 1 x DB9 RS-232/422/485	
	Display 1 x VGA	
	Ethernet 2 x RJ-45 isolated* 10/100/1000 Mbps	
	DIO 1 x DB9 8-bit programmable DIO	
	LTE Cat 4 Quectel EG25-G Mini PCIe	
<b>Working temp.:</b>	-20°C to +70°C (-4°F to +158°F)	
<b>Humidity:</b>	0% to 95%	
<b>Vibration Endurance:</b>	2 Gms with storage (5 to 500Hz, X/Y/Z direction; random, operating)	
<b>Mounting:</b>	DIN rail, wall	
<b>Weight (net/gross):</b>	0.3 kg (0.67 lb)/0.45 kg (0.99 lb)	
<b>Dimensions:</b>	height	125 mm
	width	31 mm
	depth	100 mm



▲ Front view



▲ Rear view

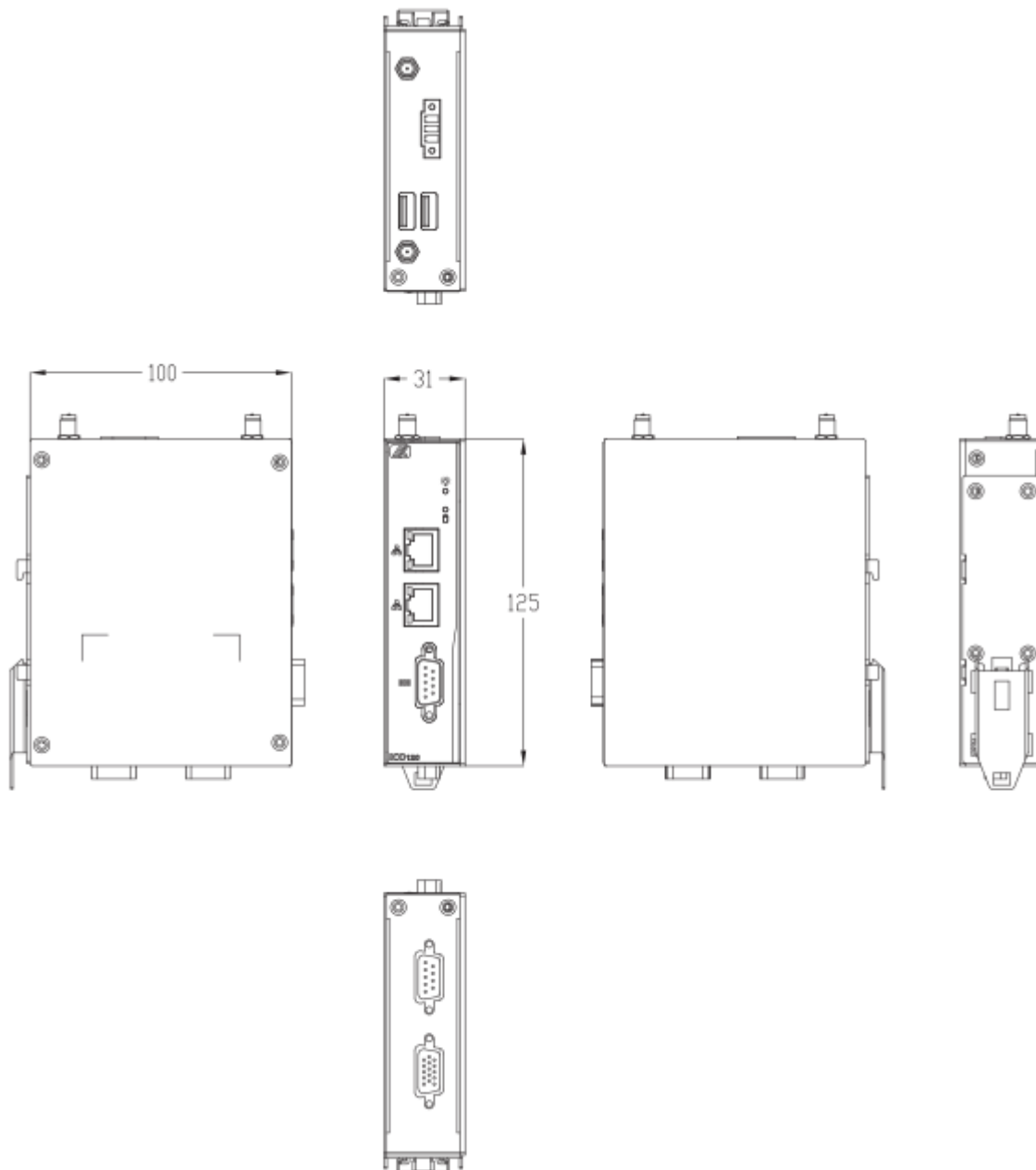


2 x USB



1 x DI/DO  
(8-bit programmable)





## Wiring

