



RDC Charger

User manual



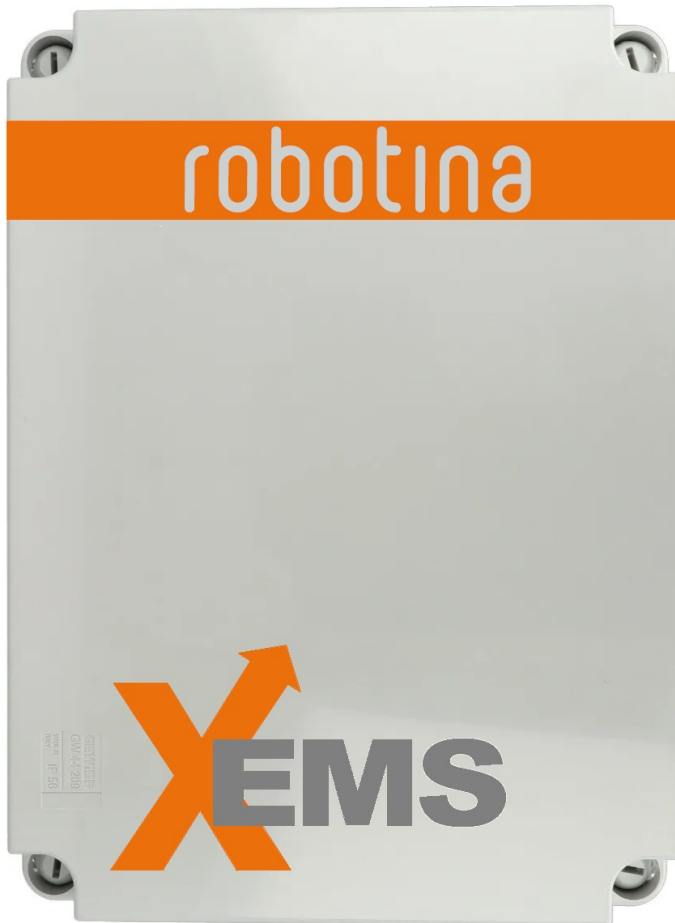
Robotina d.o.o.
OIC-Hrpelje 38 Hrpelje
SI-6240 Kozina
Slovenia

Table of Contents

- xEMS-C-01** 5
- Features** 5
- Technical specification** 6
- Wiring scheme** 7
- Dimensions** 7

xEMS-C-01

xEMS is a system for efficient energy management in industrial and business facilities

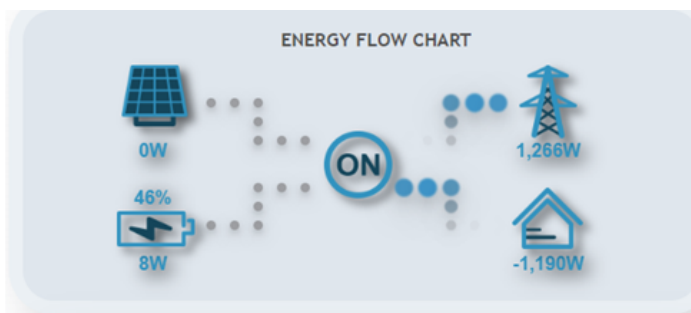
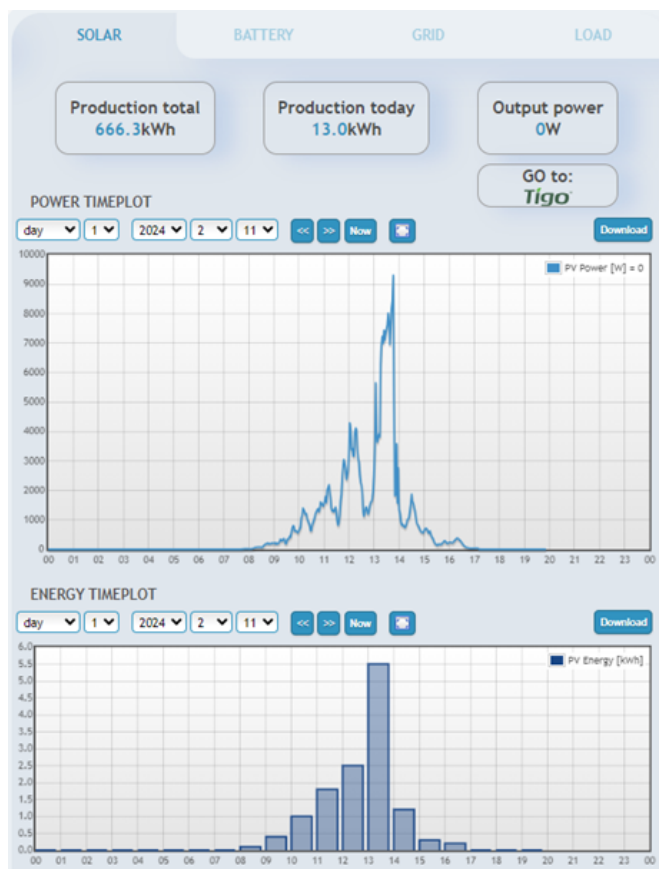


Order code:

xEMS-C-01

Features

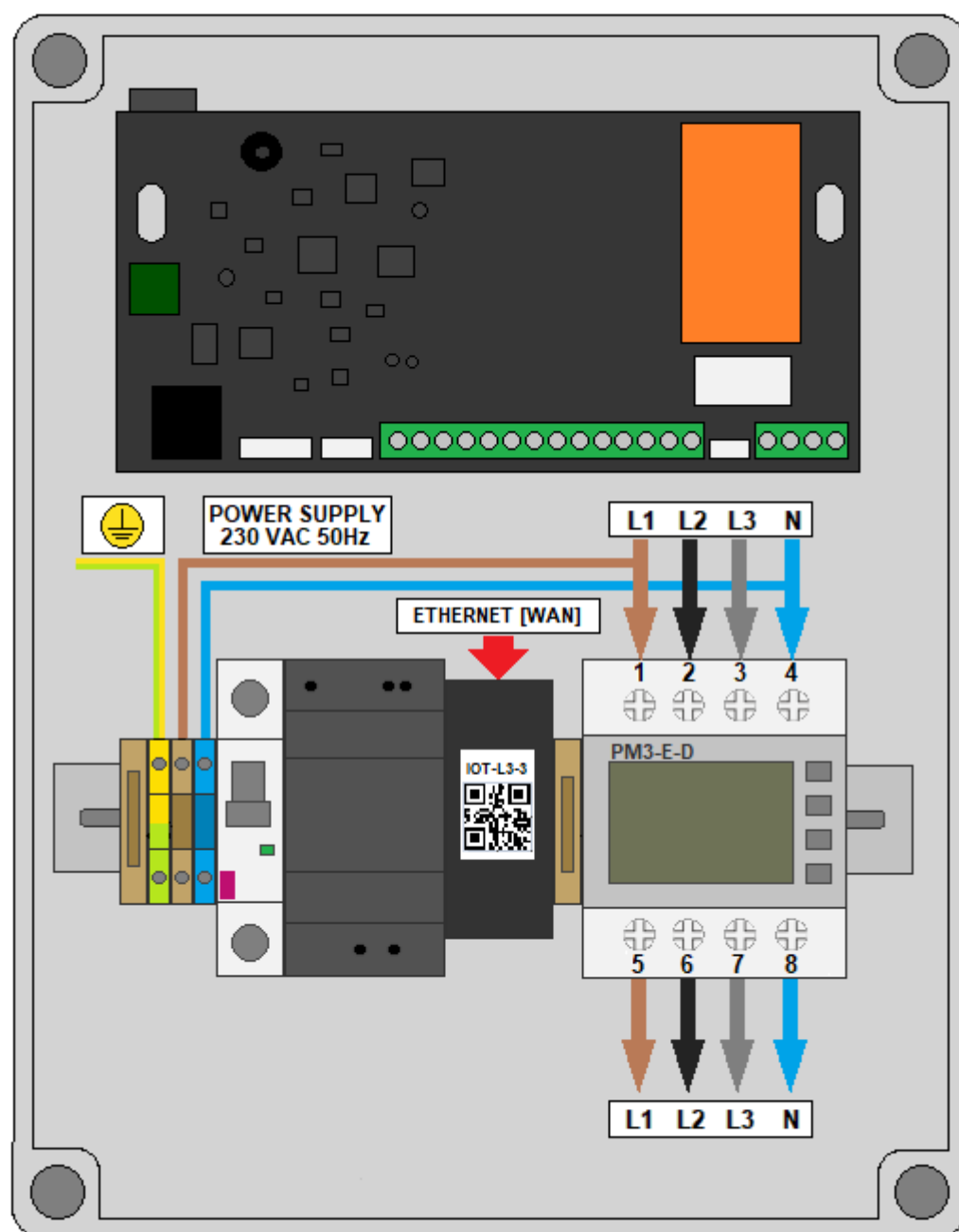
Industry grade ESS with high energy and power density, scalability and excellent performance. Integrated EMS with advanced functionality and lifetime strategy upgrades. For residential, Commercial and Utility applications. xEMS provides dynamic energy flow management, peak shaving and other advanced functions.



Technical specification

Power supply	230 VAC 50Hz
Communication:	Ethernet, Modbus, wireless modbus
Integration interface:	API, OPC, Modbus, Digital twin
Weight	2,1 kg

Wiring scheme



Dimensions

