

WR-5

Wireless Modbus relay

Model number:	WR-5
---------------	-------------



Features

- wireless fan-coil controller
- 5 remote controlled relays
- 1 temperature sensor input
- 1 digital input, dry contact
- modbus RTU slave protocol
- very long range, no hopping
- up to 16 devices per group
- multiple addressable groups
- protected private connection

Technical specification

MODBUS

Address range:	220..235
Data bits & parity:	8n1

Supported functions:	01 – read coils
	04 – read input registers
	05 – write single coil
	15 – write multiple coils

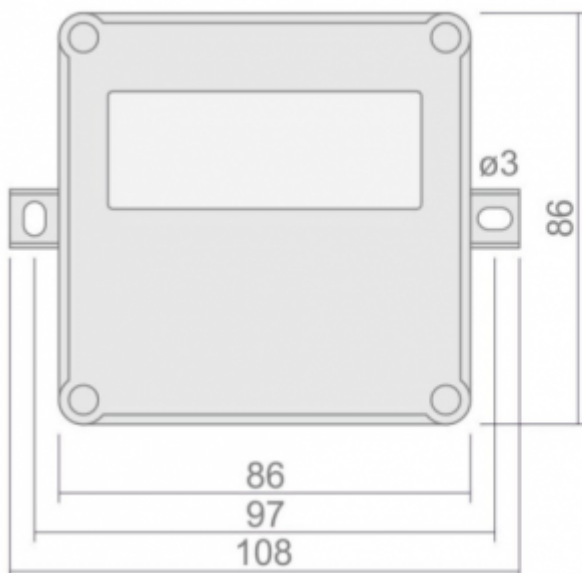
Radio

Frequency band:	868MHz (EU), 915MHz (US)
Modulation	FSK, 80kHz bandwidth
Group address	32-bit, automatically generated
Connection time	10s power-on to network ready
Output power	25mW
Minimum distance	3m between devices
Operating range	300m with optical visibility

General

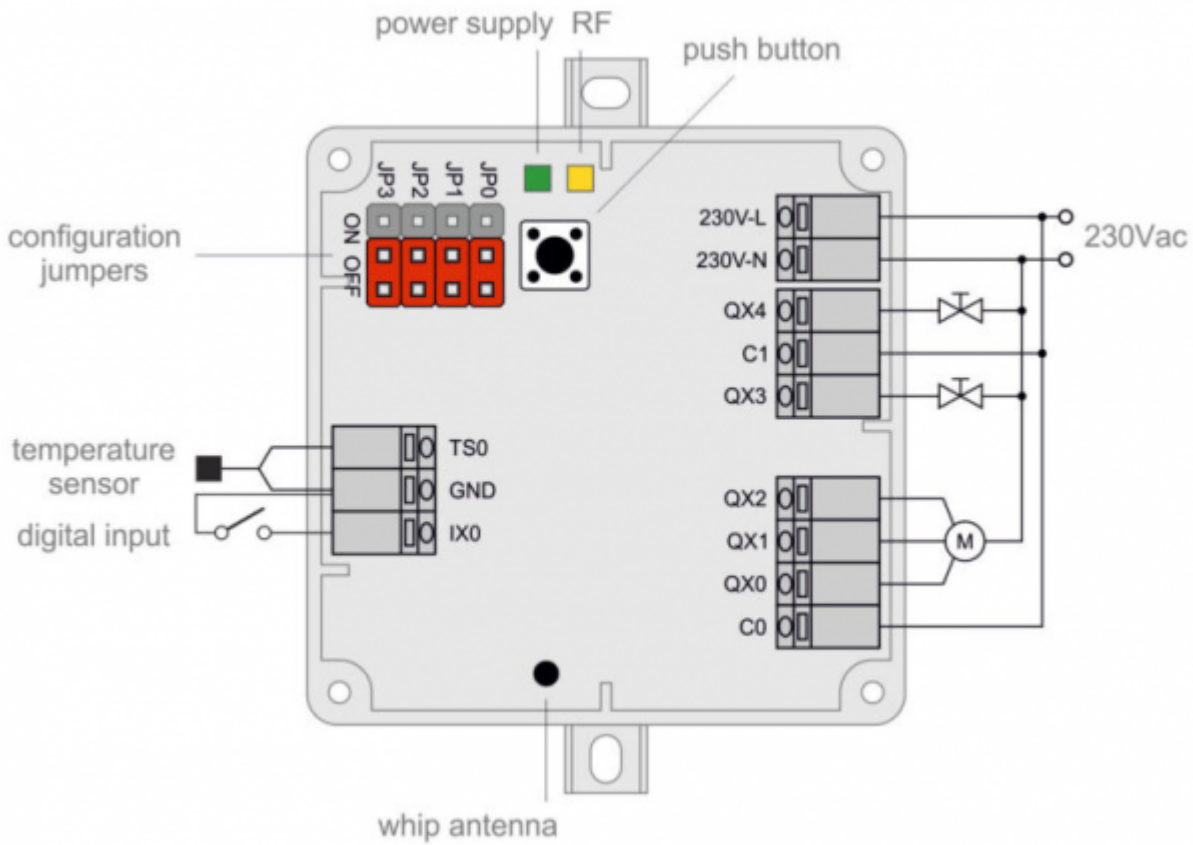
Power supply	230V, 50..60Hz, 2W
Terminals	0.25..1.5mm ²
Operating conditions	-20..+40°C, 0..85% rh nc
Storage temperature	-40..+85°C
Weight	80g
Degree of protection	IP20
Standards	EN60730-1, EN300-220-2

Dimensions and mounting



Device should not be installed inside the metal cabinet. Distance from antenna to the nearest object should be at least 10cm.

Terminals



Examples



Cybro-3-RFM, as modbus master, can directly control WR-5 devices.



Any modbus master, using WM-1 bridge, can control WR-5 devices.