

WR-5

Wireless Modbus relay

Model number:	WR-5
---------------	-------------



Features

- wireless DALI-to-DALI bridge
- replacement for DALI wiring
- wired/wireless combinations
- multiple ballasts per bridge
- internal DALI power supply
- very long range, no hopping
- protected private connection
- multiple addressable groups

Technical specification

DALI

DALI power supply:	internal, 18V 20mA
Ballasts per adapter:	5 (2mA) or 10 (1mA)
Bus length:	50m max.

Galvanic isolation:	4kV DALI to mains (SELV)
230V tolerance:	no

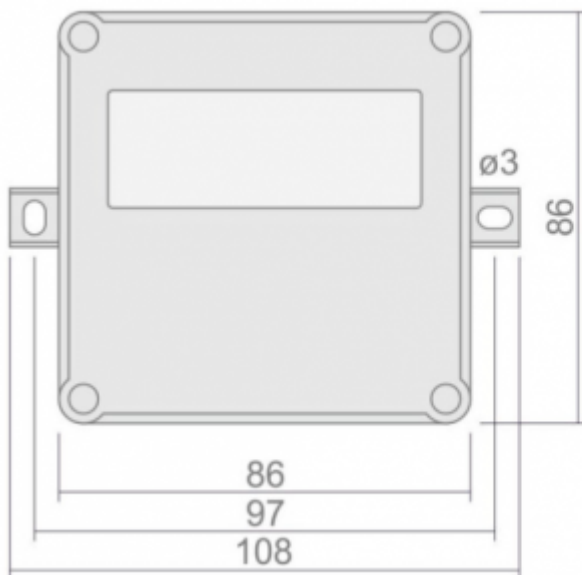
Radio

Frequency band:	868MHz (EU), 915MHz (US)
Modulation	FSK, 80kHz bandwidth
Group address	32-bit, automatically generated
Connection time	10s power-on to network ready
Output power	25mW
Minimum distance	3m between devices
Operating range	300m with optical visibility

General

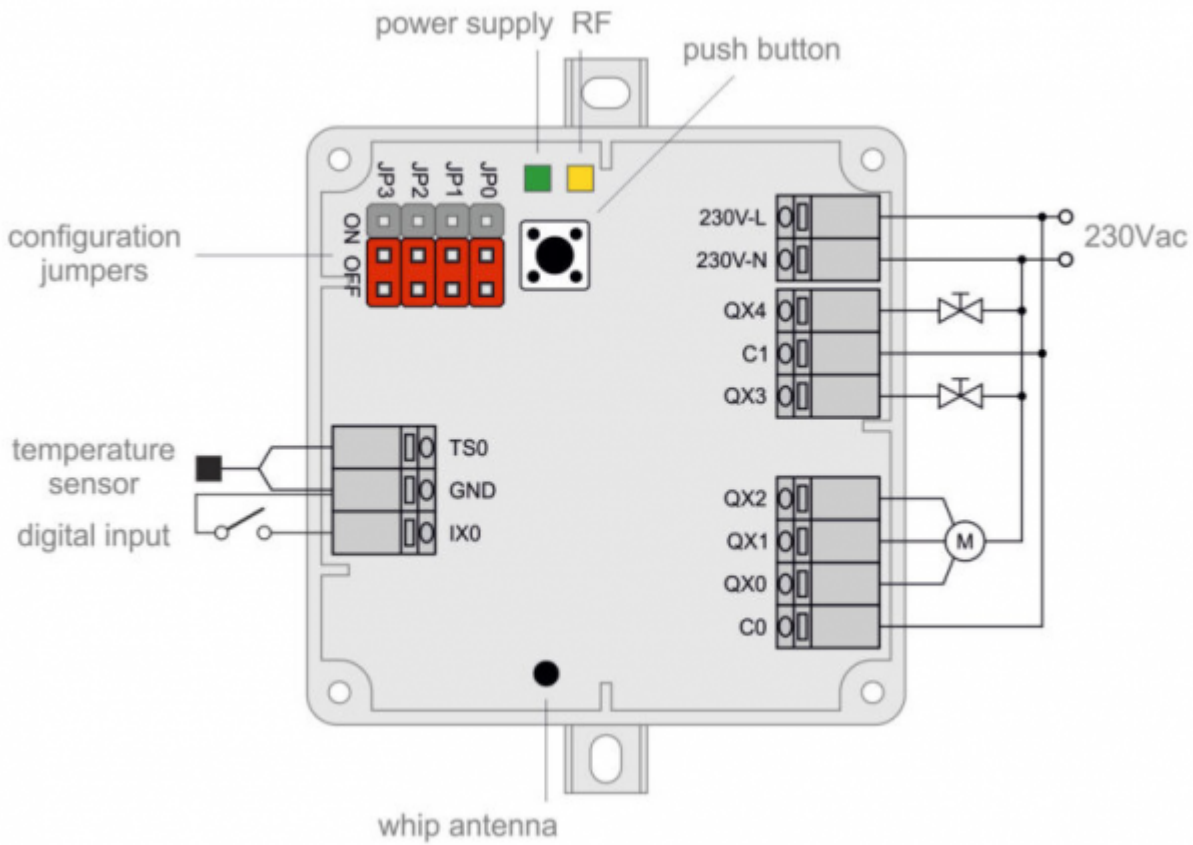
Power supply	230V, 50..60Hz, 2W
Terminals	0.25..1.5mm ²
Operating conditions	-20..+40°C, 0..85% rh nc
Storage temperature	-40..+85°C
Weight	80g
Degree of protection	IP20
Standards	EN60730-1, EN300-220-2

Dimensions and mounting



Device should not be installed inside the metal cabinet. Distance from antenna to the nearest object should be at least 10cm.

Terminals



Examples



Cybro-3-RFM, as modbus master, can directly control WR-5 devices.



Any modbus master, using WM-1 bridge, can control WR-5 devices.