

LV-08-1P-01

Low voltage hybrid inverter - single phase



Order code:	LV-08-1P-01
Description:	Low voltage hybrid inverter
Mounting:	Wall

Technical specification

AC output data

Rated output power of AC and UPS (W):	8000
Rated AC Input/Output current(A):	36.4/34.8
Max AC Input/Output current(A):	40/38.3

Output frequency and voltage:	50/60Hz; 230Vac
-------------------------------	-----------------

PV input data

Max DC input power (W):	10400
PV input voltage (V):	500
Starting voltage (V):	125
PV input current (A):	26+26

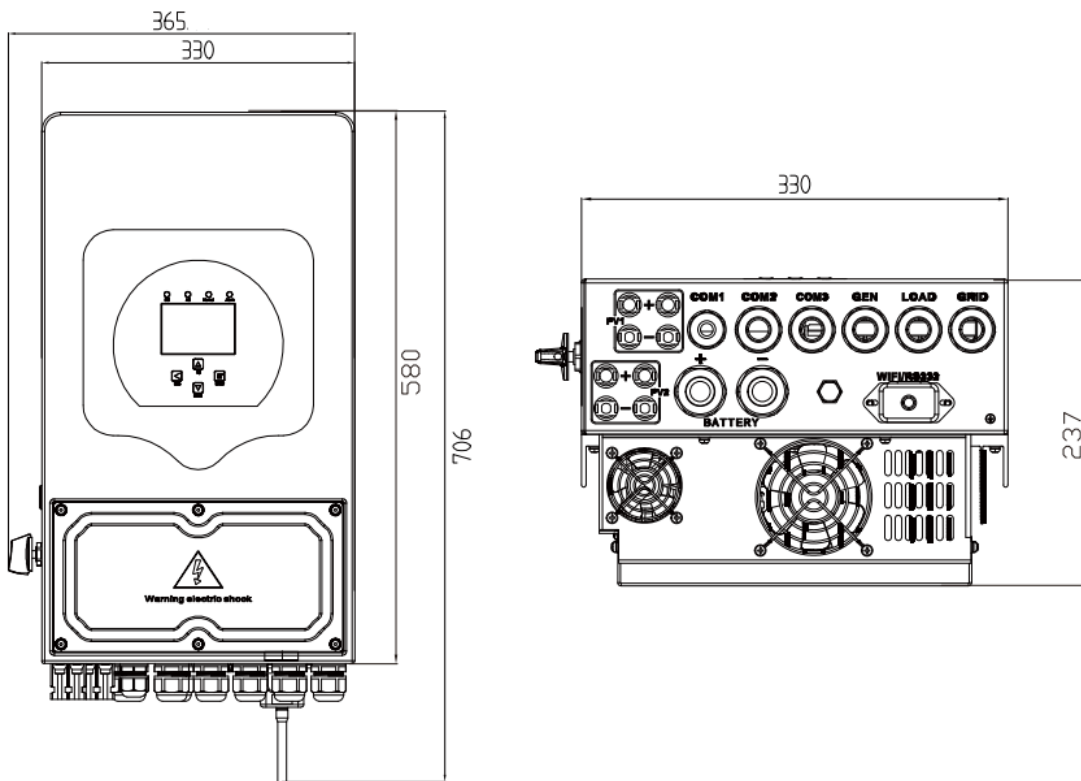
Connected battery input data

Battery voltage range (V):	40~60
Max charging current (A):	190
Max discharging current (A):	190

General technical data

Working temperature (°C):	-40 to +60, >45 Derating
Communication with BMS:	RS485, CAN
Weight (kg):	24.9
Degree of protection (IP):	IP65

Dimensions



Certificate

[hybridinverter_eudeclaration-sun-3.6-8k-sg05lp1-eu_231011001.pdf](#)