

# LD-P4-IQ

## 4 channel driver for universal lights dimmers



Model number:	<b>LD-P4-IQ</b>
Mounting:	DIN rail, 2M / 35 mm

## Applications

- 4 individual 230 VAC dimmable lights

## Features

- button or potentiometer input
  - auto-detect input type
  - potentiometer auto-range
- External [LUD-12-IQ](#) power drivers with:
  - Automatic load detection (L or C loads)
  - Electronic overload protection
  - Over-temperature shutdown

## General description

The universal lights dimmer LD-P4-HIQ is 4 channels controller for [LUD-12-IQ](#) universal light dimmers. LD-P4-HIQ supports local control buttons or potentiometers connected directly to it, which can be mixed and are auto-detected.

Many features are available in the stand alone mode, while advanced features like scenes, scheduling, smartphone operation, internet connection are only available when connected to the appropriate Home Controller.

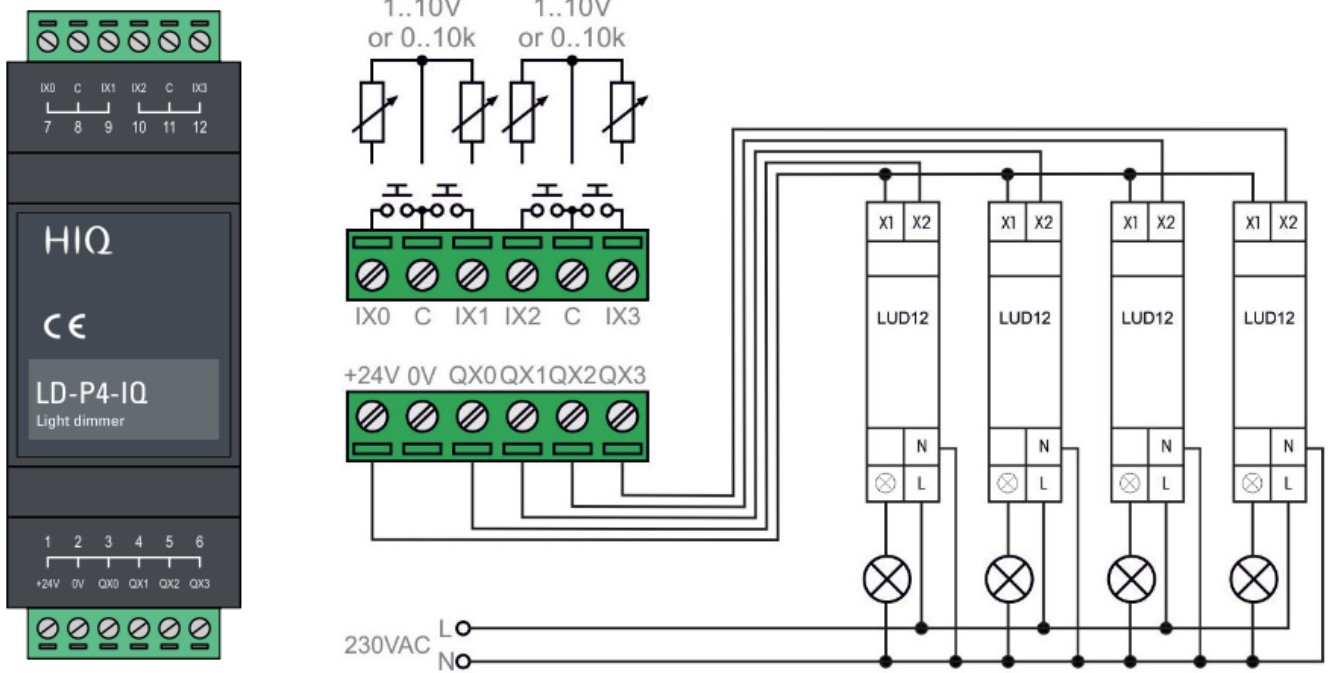
[LUD-12-IQ](#) universal dimmer can be used for any type of dimmable 230 VAC lights. It automatically detects load type (L loads and C loads). Dimmer is electronically protected against overload and over-temperature.

## Technical specification

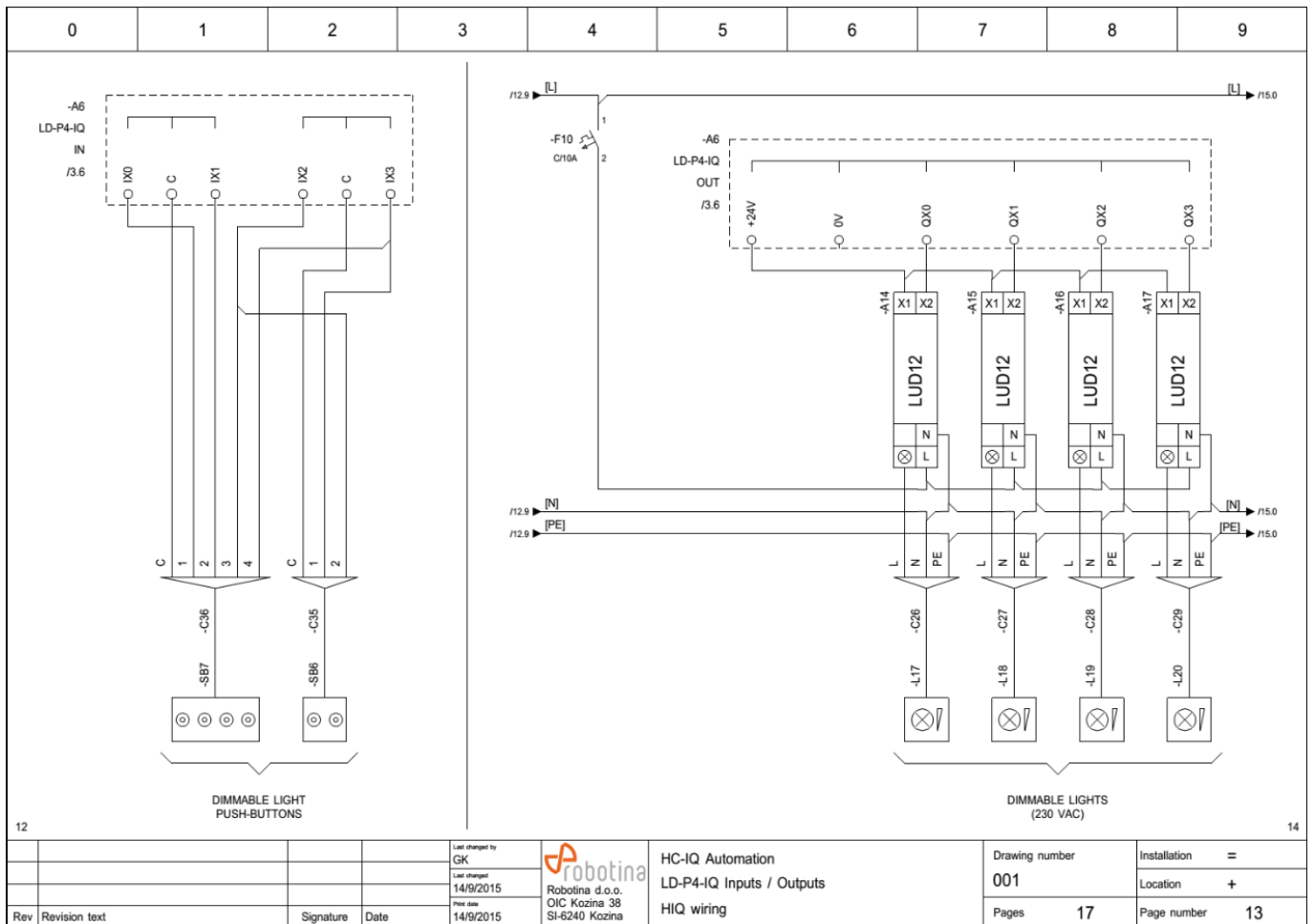
Analog inputs:	10k / 1-10 V; auto-range
Digital inputs:	internal pull-up, 12V, 2mA
PWM output:	
Power supply:	24V/25mA
Ingress protection:	IP20
Operating temperature:	0..45°C
Storage temperature:	-20..75°C
Relative humidity:	0..95% n/c

## Terminals

Power supply / Drivers common (X1)	<b>+24V</b>	<b>1</b>	Power supply	Digital input 0	<b>7</b>	<b>IX0</b>	Light 0 push-button
Power supply	<b>0V</b>	<b>2</b>		Inputs common	<b>8</b>	<b>C</b>	Push-buttons common
Driver 0 PWM input (X2)	<b>QX0</b>	<b>3</b>	PWM output 0	Digital input 1	<b>9</b>	<b>IX1</b>	Light 1 push-button
Driver 1 PWM input (X2)	<b>QX1</b>	<b>4</b>	PWM output 1	Digital input 2	<b>10</b>	<b>IX2</b>	Light 2 push-button
Driver 2 PWM input (X2)	<b>QX2</b>	<b>5</b>	PWM output 2	Inputs common	<b>11</b>	<b>C</b>	Push-buttons common
Driver 3 PWM input (X2)	<b>QX3</b>	<b>6</b>	PWM output 3	Digital input 3	<b>12</b>	<b>IX3</b>	Light 3 push-button



## Wiring diagram



12		14	
Rev	Revision text	Signature	Date
Last changed by GK Last changed 14/9/2015 Prev date 14/9/2015		Robotina d.o.o. OIC Kozina 38 SI-6240 Kozina	
HC-IQ Automation LD-P4-IQ Inputs / Outputs HIQ wiring		Drawing number 001	Installation = Location + Page number 13
Pages 17			

## Dimensions

