

LC-DC2

IEX-2 module, DALI-2 application controller



Model number:	LC-DC2
Mounting:	DIN rail

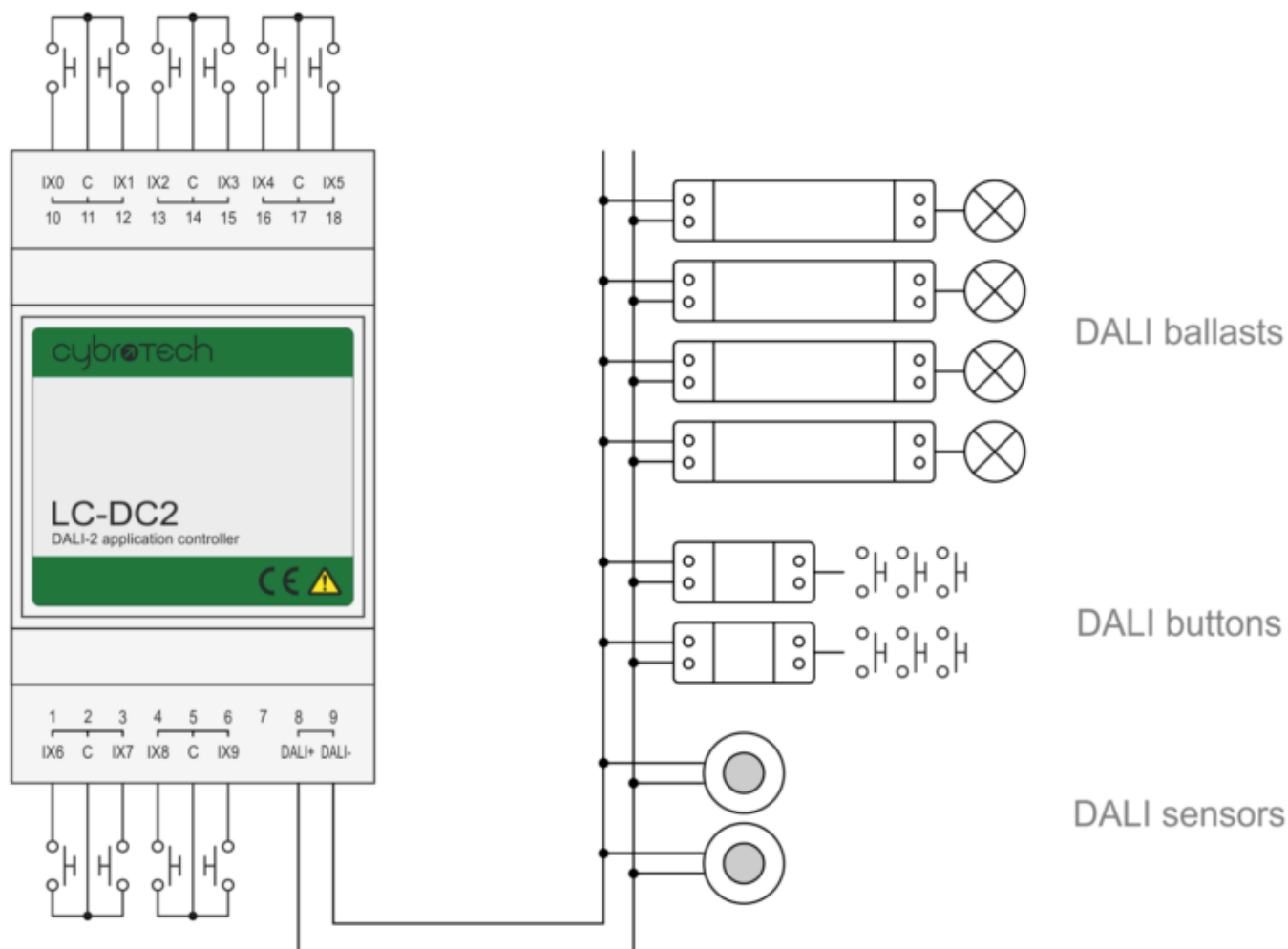
Features

- IEX-2 module
- DALI-2 application controller
- DALI-2 multi-master
- send and receive DALI power supply
- 10 digital inputs

Technical specification

DALI output current	100mA
Ballasts per device	32 (2mA per device)
Bus length	200m
Galvanic isolation	no
Autoaddress	yes
Typical usage	smart home
Duty cycle	1:10 (DALI active 10% of the time)
Load protection	short-circuit and thermal shutdown
230V tolerance	no
Input type	dry contact, internal pull-up 12V 2mA
Power supply	24V (18..28V), 200mA
Operating conditions	0..45°C, 0..95% rh non-condensing
Storage temperature	-20..75°C
Degree of protection	IP20
Weight	120g
Standards	EN 60730-1, EN 61000-4-4

Terminals



Dimensions

