

LC-DC2

IEX-2 module, DALI-2 application controller



Model number:	LC-DC2
Mounting:	DIN rail

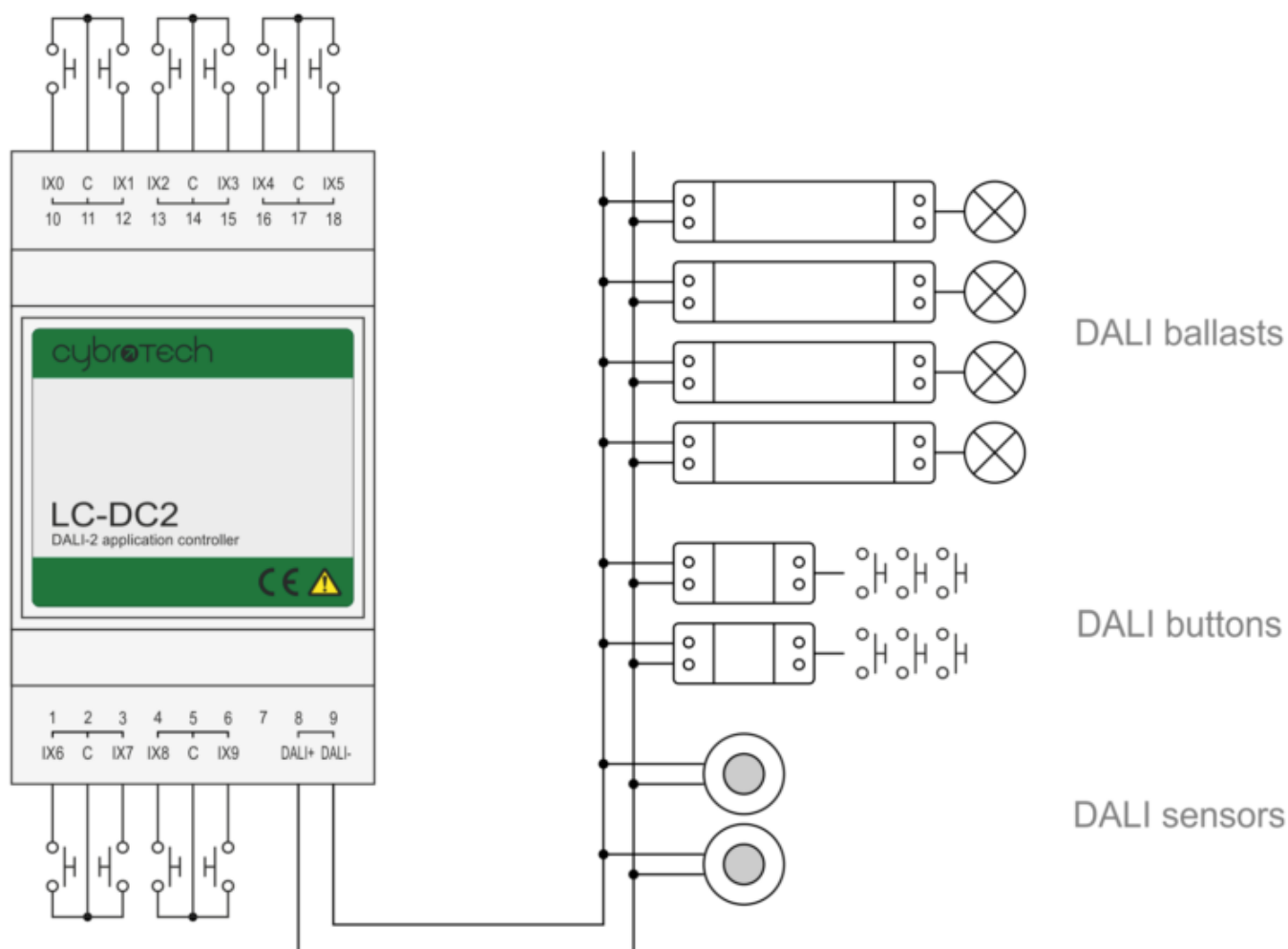
Features

- IEX-2 module
- DALI-2 application controller
- DALI-2 multi-master
- send and receive DALI power supply
- 10 digital inputs

Technical specification

DALI output current	100mA
Ballasts per device	32 (2mA per device)
Bus length	200m
Galvanic isolation	no
Autoaddress	yes
Typical usage	smart home
Scan time	30ms..980ms, depends on input mode
Integration time	60ms/20ms, depends on input mode
Calibration reference	10.000V
Power supply	24V (18..28V), 50mA
Galvanic isolation	1kV between digital and analog circuit
	no isolation between chanel
Operating conditions	0..50°C, 0..85% rh non-condensing
Weight	160g
Degree of protection	IP20
Level of ambient pollution	2
Standards	EN 61010-1, EN 61010-2-201, EN 61131-2

Terminals



Dimensions

