

# LC-DC2

**IEX-2 module, DALI-2 application controller**



Model number:	<b>LC-DC2</b>
Mounting:	DIN rail

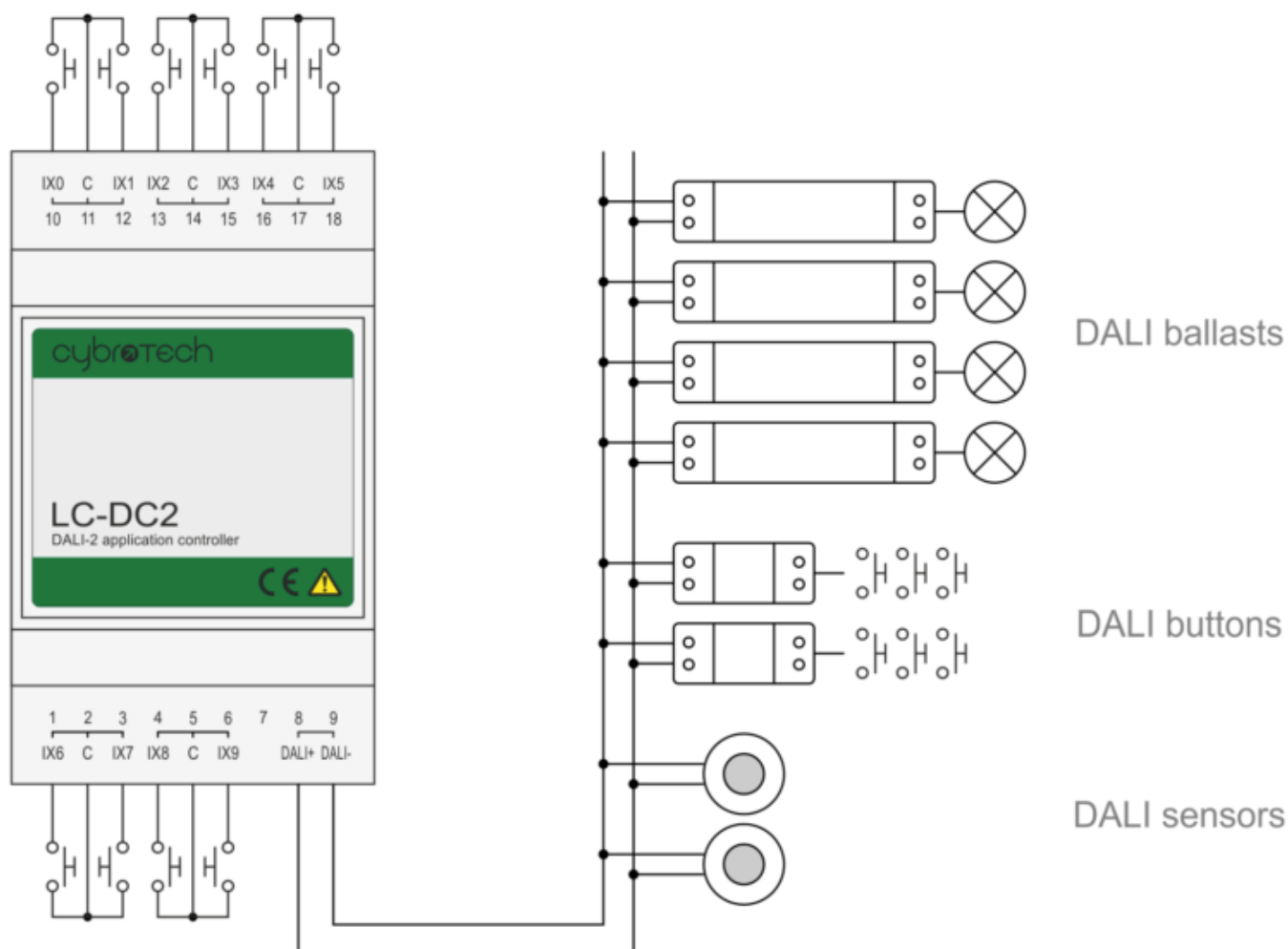
## Features

- IEX-2 module
- DALI-2 application controller
- DALI-2 multi-master
- send and receive DALI power supply
- 10 digital inputs

## Technical specification

DALI output current	100mA
Ballasts per device	32 (2mA per device)
Bus length	200m
Galvanic isolation	no
Autoaddress	smart home
Typical usage	+/-0.01%/°C of measuring range
Scan time	30ms..980ms, depends on input mode
Integration time	60ms/20ms, depends on input mode
Calibration reference	10.000V
Power supply	24V (18..28V), 50mA
Galvanic isolation	1kV between digital and analog circuit
	no isolation between chanel
Operating conditions	0..50°C, 0..85% rh non-condensing
Weight	160g
Degree of protection	IP20
Level of ambient pollution	2
Standards	EN 61010-1, EN 61010-2-201, EN 61131-2

## Terminals



## Dimensions

