

# LC-8-IQ

8 relay outputs with parallel option

Model number:	<b>LC-8-IQ</b>
Mounting:	DIN rail, 6M, 106 mm



## Applications

- general purpose discrete (ON/OFF) lights
- automatic corridor and stairs lights
- door-bell
- managed sockets
- bathroom and other single speed fans
- managed appliances (boiler, oven, electric cooker, ...)

## Features

**10A** nominal output current**16A** nominal current for parallel outputs

power outage:

&lt;10min - lights come back

&gt;10min - lights will stay off



managed socket  
for devices such as dehumidifier,  
hi-fi system, floor lamp, portable  
fan, electric mosquito repellent,  
electric heater...

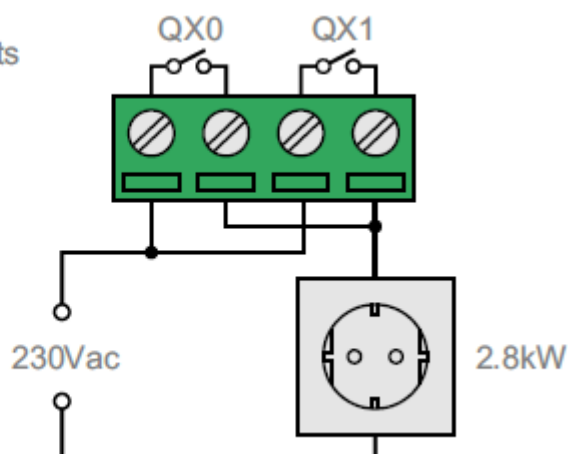
## Technical specification

Output power per relay	
- incandescent / halogen 230V	1000 W
- halogen 12V with transformer	500 W
- LED with transformer or compact	500 W
- fluorescent with electronic ballast	500 W
- parallel compensated fluo lamps	300 W / 30 uF
- electric heater (any resistive load)	1800 W
Total power for parallel connection:	2800 W
Total power for all outputs together:	4000 W
Maximum switching voltage	250Vac
Dielectric strenght output to output	400Vac
Maximum input cable length:	50 m
Power supply:	24 V / max. 120 mA
Ingress protection:	IP20
Operating temperature:	0..45 °C
Storage temperature:	-20..75 °C
Relative humidity:	0..95 % n/c
Weight:	280g

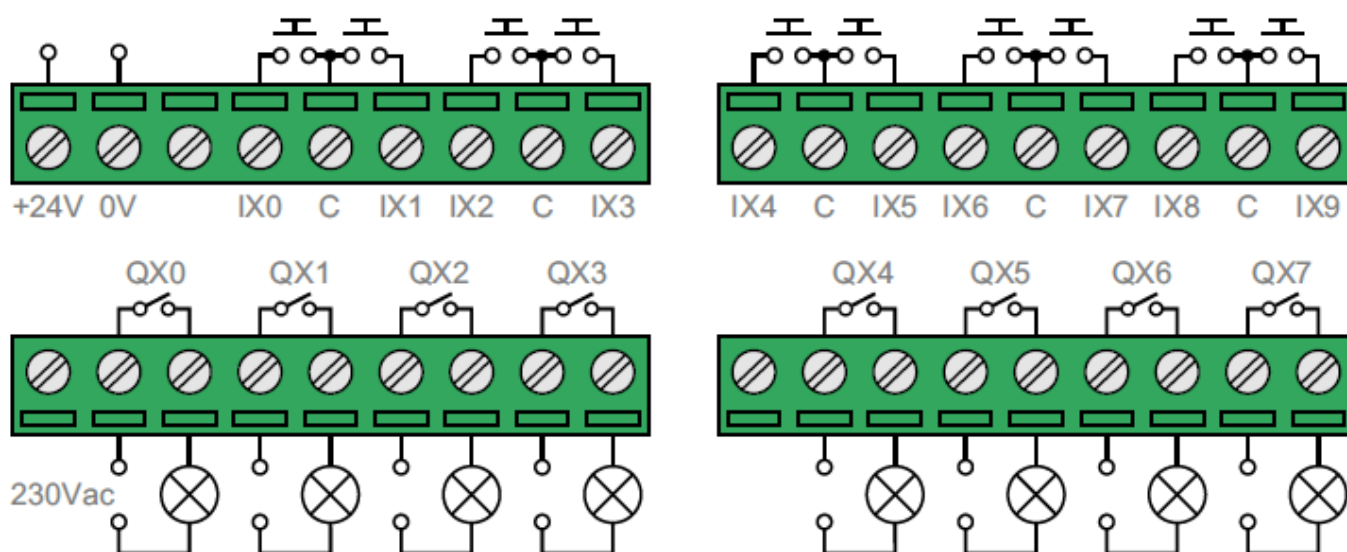


## Parallel outputs

For maximum power, two outputs  
can be connected in parallel.  
Fully synchronous operation is  
ensured by firmware.



## Terminals



## Dimensions

