

# BC-5-IQ

5x blinds position controller



|               |                     |
|---------------|---------------------|
| Model number: | <b>BC-5-IQ</b>      |
| Mounting:     | DIN rail, 6M, 106mm |

## Applications

- Blinds
- Curtains
- Awnings
- Shades
- Projector screen and lift

Basically all type of bidirectional motorized blinds with built-in limit switches.

## Features

- Smart short/long press positioning
- Easy travel time set-up; different times for both directions

- Optional, adjustable intermediate position
- Automatic correction at boundary position
- PC, smartphone and cloud connectivity

## General description

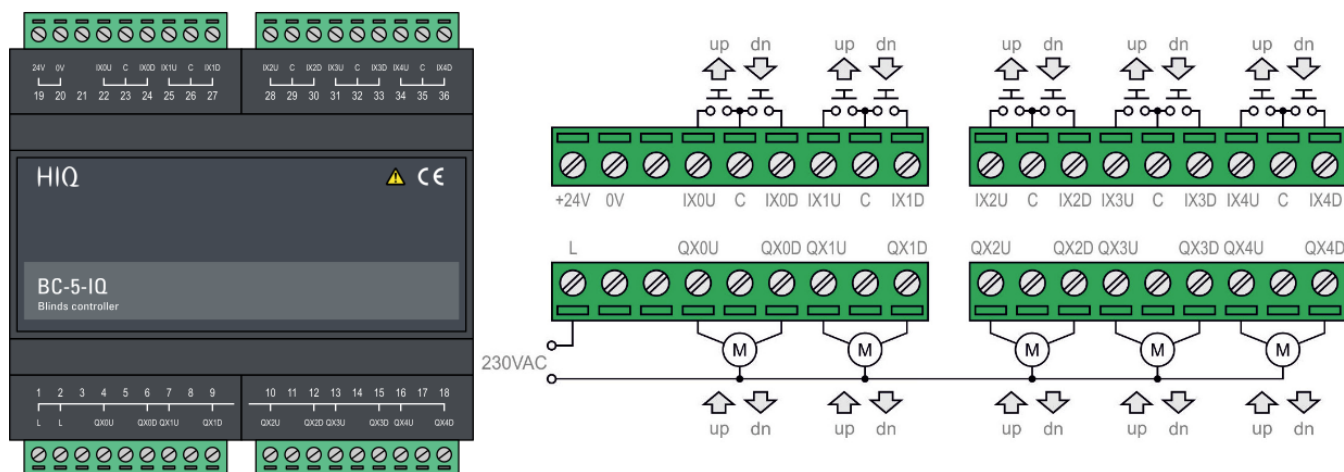
HIQ module for blinds and all kind of shadings driven by 2 way electric motor with integrated limit switches. Local control with up / down buttons. Advanced functionality including smart-phone operation, internet operation, scenes, HIQ automations, automatic weather response and more are provided when connected to HIQ Home Controller.

## Technical specification

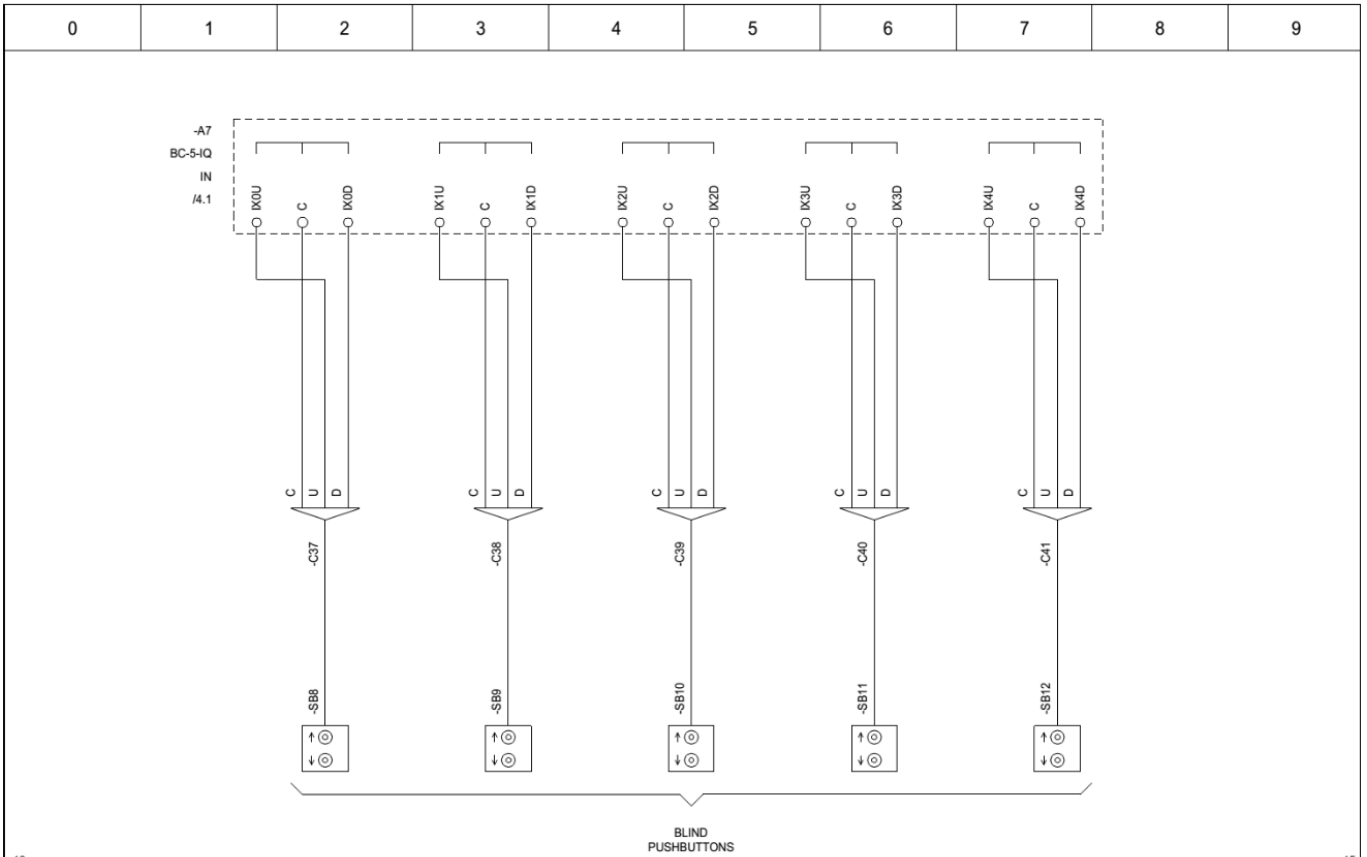
|                                  |                            |
|----------------------------------|----------------------------|
| Output power per relay:          | 200W                       |
| Total output power (all relays): | 2000W                      |
| Inputs                           | internal pull-up, 12V, 2mA |
| Maximum input cable length:      | 50m                        |
| Power supply:                    | 24V / max. 95mA            |
| Ingress protection:              | IP20                       |
| Operating temperature:           | 0..45°C                    |
| Storage temperature:             | -20..75°C                  |
| Relative humidity:               | 0..95% n/c                 |

## Terminals

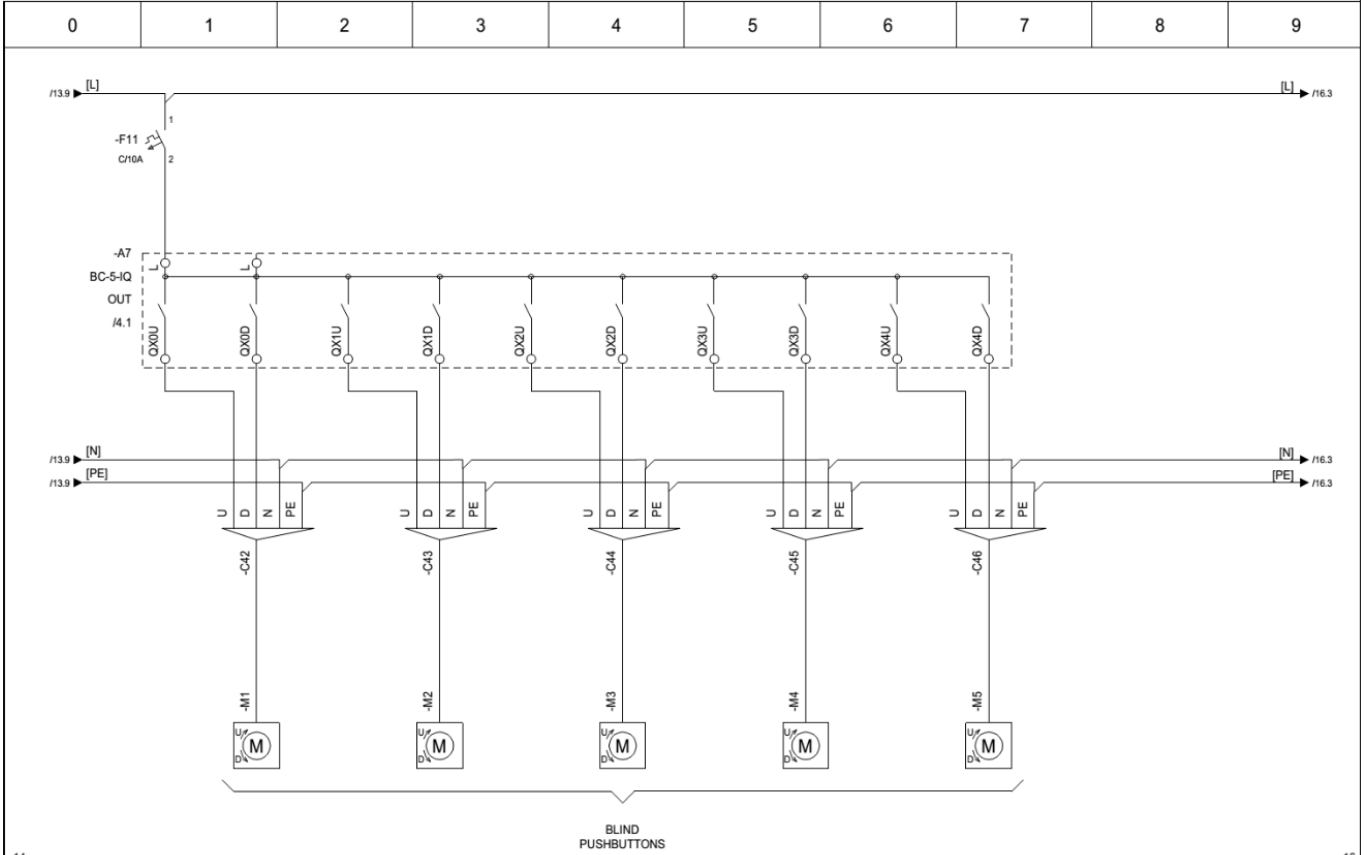
|                     |             |           |                     |                      |           |             |                           |
|---------------------|-------------|-----------|---------------------|----------------------|-----------|-------------|---------------------------|
| Blinds power supply | <b>L</b>    | <b>1</b>  | Relay inputs common | Power supply         | <b>19</b> | <b>24V</b>  | +24 VDC power supply      |
|                     | <b>L</b>    | <b>2</b>  |                     |                      | <b>20</b> | <b>0V</b>   | 0 VDC power supply        |
|                     |             | <b>3</b>  |                     |                      | <b>21</b> |             |                           |
| Blinds 0 up live    | <b>QX0U</b> | <b>4</b>  | Relay output 0 up   | Digital input 0 up   | <b>22</b> | <b>IX0U</b> | Blinds 0 up push-button   |
|                     |             | <b>5</b>  |                     |                      | <b>23</b> |             |                           |
| Blinds 0 down live  | <b>QX0D</b> | <b>6</b>  | Relay output 0 down | Digital input 0 down | <b>24</b> | <b>IX0D</b> | Blinds 1 down push-button |
| Blinds 1 up live    | <b>QX1U</b> | <b>7</b>  | Relay output 1 up   | Digital input 1 up   | <b>25</b> | <b>IX1U</b> | Blinds 2 up push-button   |
|                     |             | <b>8</b>  |                     |                      | <b>26</b> |             |                           |
| Blinds 1 down live  | <b>QX1D</b> | <b>9</b>  | Relay output 1 down | Digital input 1 down | <b>27</b> | <b>IX1D</b> | Blinds 3 down push-button |
| Blinds 2 up live    | <b>QX2U</b> | <b>10</b> | Relay output 2 up   | Digital input 2 up   | <b>28</b> | <b>IX2U</b> | Blinds 4 up push-button   |
|                     |             | <b>11</b> |                     |                      | <b>29</b> |             |                           |
| Blinds 2 down live  | <b>QX2D</b> | <b>12</b> | Relay output 2 down | Digital input 2 down | <b>30</b> | <b>IX2D</b> | Blinds 5 down push-button |
| Blinds 3 up live    | <b>QX3U</b> | <b>13</b> | Relay output 3 up   | Digital input 3 up   | <b>31</b> | <b>IX3U</b> | Blinds 6 up push-button   |
|                     |             | <b>14</b> |                     |                      | <b>32</b> |             |                           |
| Blinds 3 down live  | <b>QX3D</b> | <b>15</b> | Relay output 3 down | Digital input 3 down | <b>33</b> | <b>IX3D</b> | Blinds 7 down push-button |
| Blinds 4 up live    | <b>QX4U</b> | <b>16</b> | Relay output 4 up   | Digital input 4 up   | <b>34</b> | <b>IX4U</b> | Blinds 8 up push-button   |
|                     |             | <b>17</b> |                     |                      | <b>35</b> |             |                           |
| Blinds 4 down live  | <b>QX4D</b> | <b>18</b> | Relay output 4 down | Digital input 4 down | <b>36</b> | <b>IX4D</b> | Blinds 9 down push-button |



## Wiring diagram



|     |               |           |  |  |  |  |  |  |                                   |  |  |  |
|-----|---------------|-----------|--|--|--|--|--|--|-----------------------------------|--|--|--|
|     |               |           |  |  |  |  |  |  |                                   |  |  |  |
|     |               |           | Last changed by<br>GK<br>Last changed<br>11/8/2015<br>Prev date<br>14/9/2015 |  | Robotina d.o.o.<br>OIC Kozina 38<br>SI-6240 Kozina |  | HC-IQ Automation<br>BC-5-IQ Inputs<br>HIQ wiring |  | Drawing number<br>001<br>Pages 17 |  | Installation =<br>Location +<br>Page number 14 |  |
| Rev | Revision text | Signature | Date   |  |  |  |  |  |                                   |  |  |  |



|     |               |           |  |  |  |  |   |  |                                   |  |  |  |
|-----|---------------|-----------|--|--|--|--|---|--|-----------------------------------|--|--|--|
|     |               |           |  |  |  |  |   |  |                                   |  |  |  |
|     |               |           | Last changed by<br>GK<br>Last changed<br>12/8/2015<br>Prev date<br>14/9/2015 |  | Robotina d.o.o.<br>OIC Kozina 38<br>SI-6240 Kozina |  | HC-IQ Automation<br>BC-5-IQ Outputs<br>HIQ wiring |  | Drawing number<br>001<br>Pages 17 |  | Installation =<br>Location +<br>Page number 15 |  |
| Rev | Revision text | Signature | Date   |  |  |  |   |  |                                   |  |  |  |

## Dimensions

