

# MC-230-04

## Advanced Controller



Order code:	<b>MC-230-04</b>
Description:	230 VAC, 11 IO, 2 × RS232 isolated, RS485, IEX2 terminals,
Mounting:	DIN rail (35mm), 6M, 106mm

## Features

- 3 digital inputs
- 4 relay outputs 8 A
- 4 universal inputs/outputs
- Ethernet, USB, IEX-2, 2×RS232, 1×RS485 isolated
- 230 VAC power supply

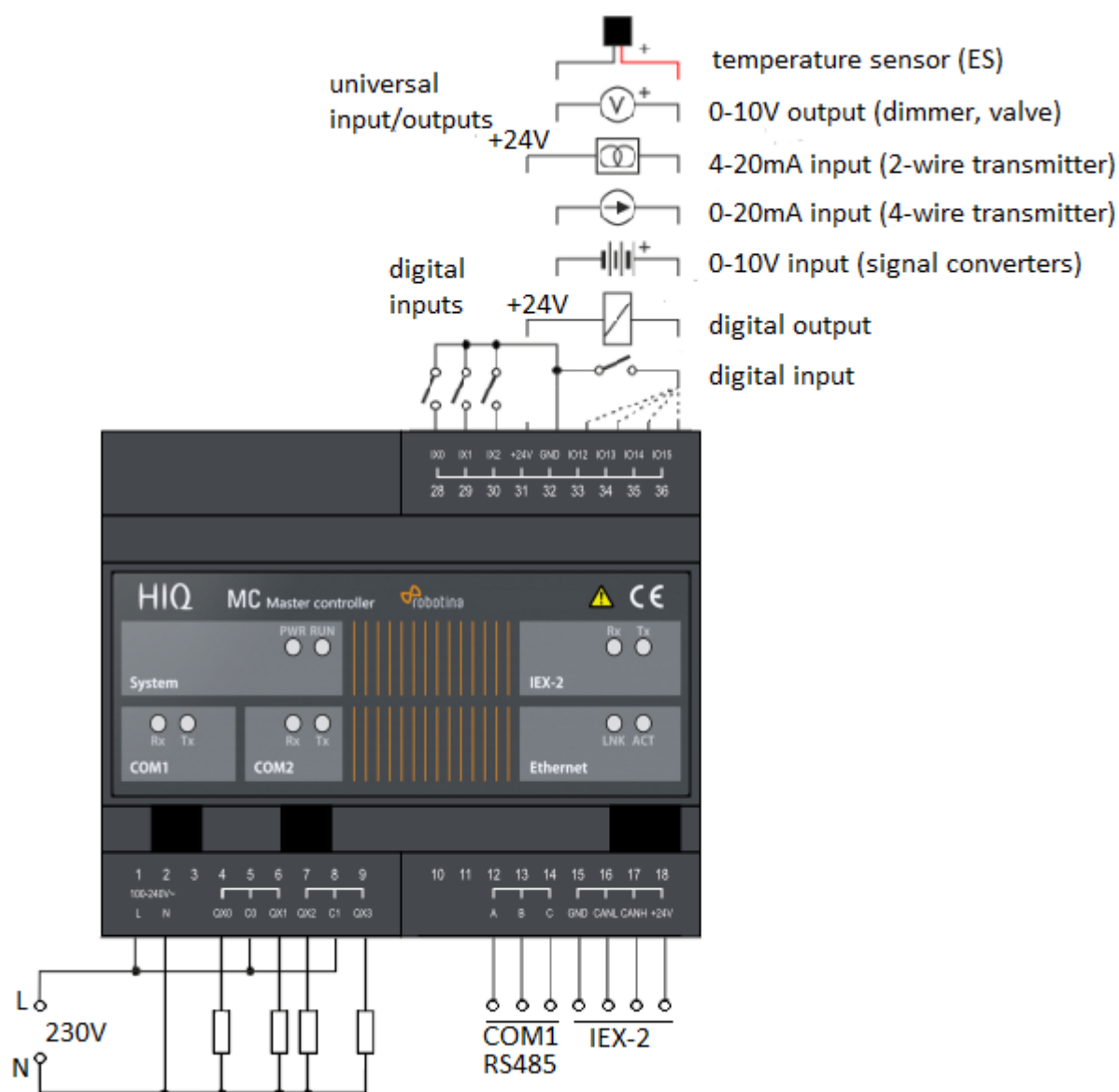
## Safety standards

EN 61010-1, EN 61010-2-201, EN 61131-2

## Technical specification

Relay outputs:	8A/250VAC resistive, 8A/30VDC resistive
Communication:	Ethernet, 2x RS232, 1x RS485, IEX-2 bus
Nominal power rating:	230 VAC or 24 VDC
Power consumption:	typ. 1W (no load), 10W max
Power output:	24V 200mA (with 230 VAC power supply)
Ingress protection:	IP20
Operating temperature:	0..50°C
Storage temperature:	-20..75°C
Relative humidity:	0..85% n/c
Input type(ix00..ix02):	dry contact, internal pull-up 12V 2mA
Cable lenght:	50m
COM1 type	RS485 two wire
Transmit/receive	automatic switching
MAX recommended output power per relay:	
- incandescent / halogen 230V	800 W
- halogen 12 V with transformer	400 W
- fluorescent with electronic ballast	400 W
- parallel compensated fluo lamps	250 W / 30 uF
- electric heater	1400 W
Total output power (all relays):	4000 W

## Terminals



## Bus Connection Cable



- The product includes a 2.5 cm RJ9-to-RJ9 bus cable (Order code: CAD-P0) for connection to controllers, allowing the units to be linked together.
- Longer cable versions are available under order codes CAD-Px.

## Dimensions

