

CR-D2-B

Beacon transmitter, temperature sensor, 4" graphical touch display



Model number:	CR-D2-B	Black
Mounting:	Field, on wall	
Old code:	CR-D2	

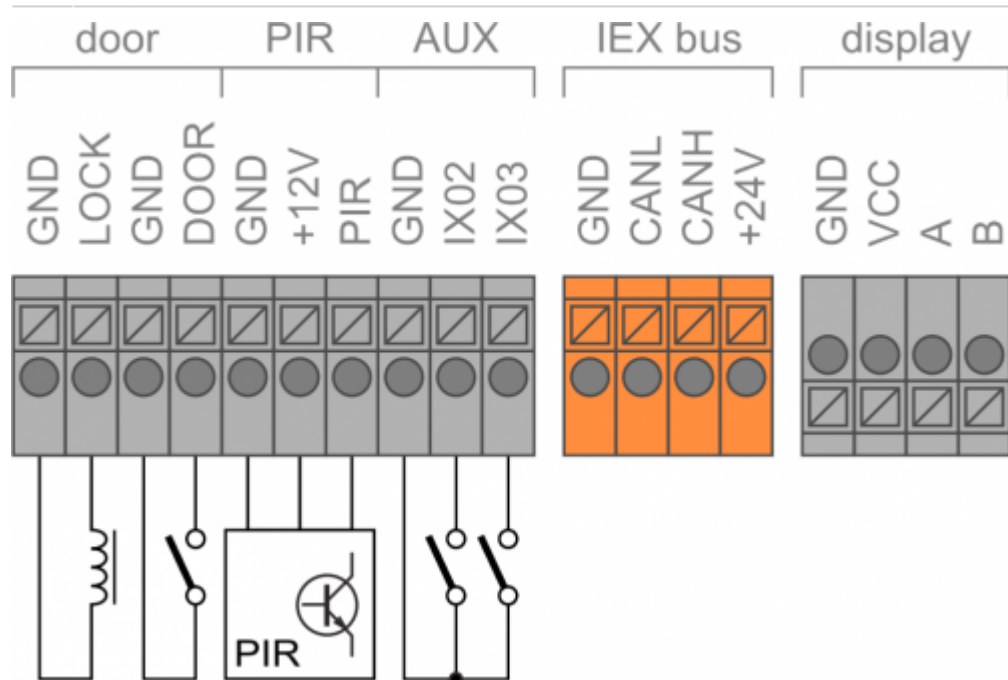
Features

- touch display 4"
- iBeacon transmitter
- temperature sensor
- digital output for door lock
- digital input for door sensor
- digital input for PIR sensor
- 2 spare digital inputs

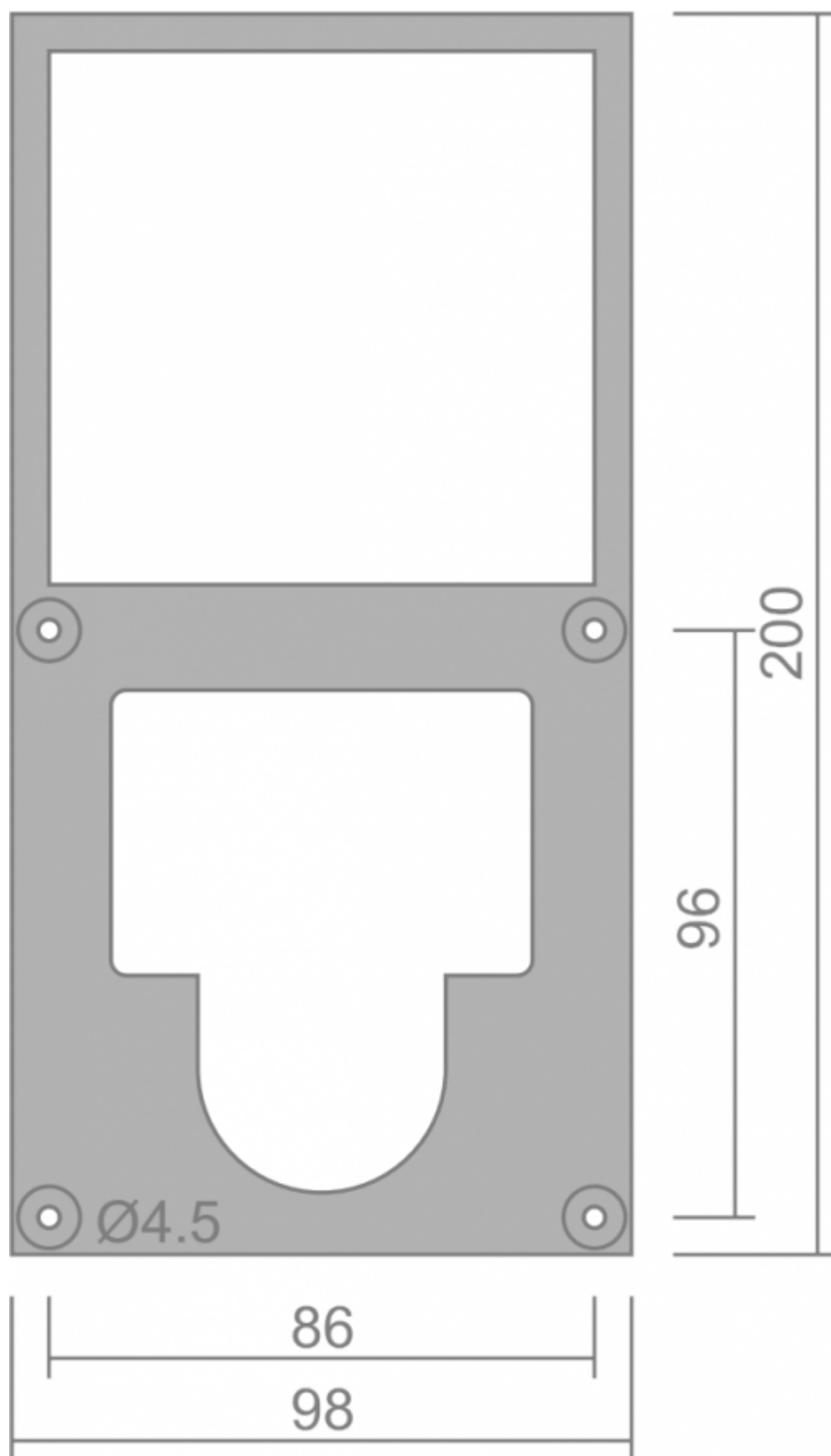
Technical specification

Beacon	
Bluetooth protocol	BLE 5.0
Frequency band	2.4GHz
Broadcast range	5m
Advertising interval	500ms
Local name	CYBRO
Touch display	
Diagonal Resolution	10cm (4")
Resolution	480×480 TFT
Touch panel	capacitive
Interface	RS485 115200 8n1
Cable length	n/a (D1, D2), 100m (D3)
Digital input	
Input type	dry contact, internal pull-up 12V 2mA
Cable length	50m
Door lock output	
Voltage	12V or 24V, software adjustable
Output current	500mA
Protection	short circuit, overvoltage, overheating
Cable length	50m
PIR sensor	
Input type	dry contact, internal pull-up 12V 2mA
Power output	12V 25mA
Protection	short circuit, overheating
Cable length	50m
General	
Power supply	24V (18..28V), 85mA (+door lock)
Terminals	push-button cage clamp 3.5mm
Wire diameter	stranded 0.2..1.5mm ² , solid to 1mm ²
Operating conditions	0..45°C, 0..85% rh non-condensing
Storage temperature	-20..75°C
Degree of protection	IP20
Dimensions	98x200x29mm
Weight	350 g

Terminals



Dimensions & Mounting



TGP app

[CR-D TGP communication & application](#)