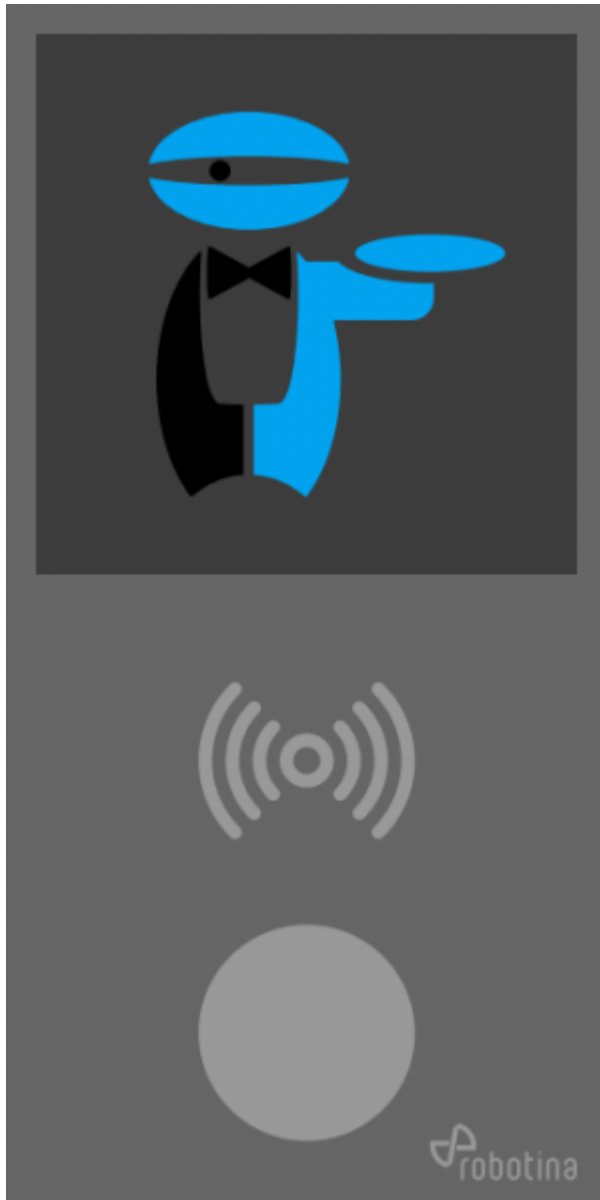


CR-D2-B

Beacon transmitter, temperature sensor, 4" graphical touch display



| | | |
|---------------|----------------|-------|
| Model number: | CR-D2-B | Black |
| Mounting: | Field, on wall | |
| Old code: | CR-D2 | |

Features

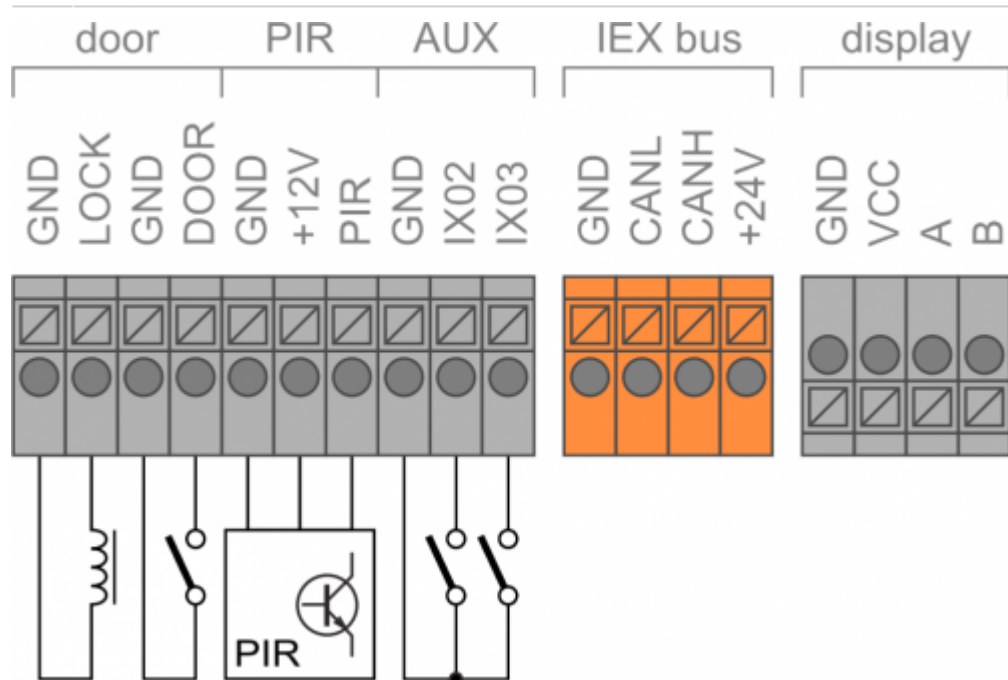
- touch display 4"
- iBeacon transmitter
- temperature sensor

- digital output for door lock
- digital input for door sensor
- digital input for PIR sensor
- 2 spare digital inputs

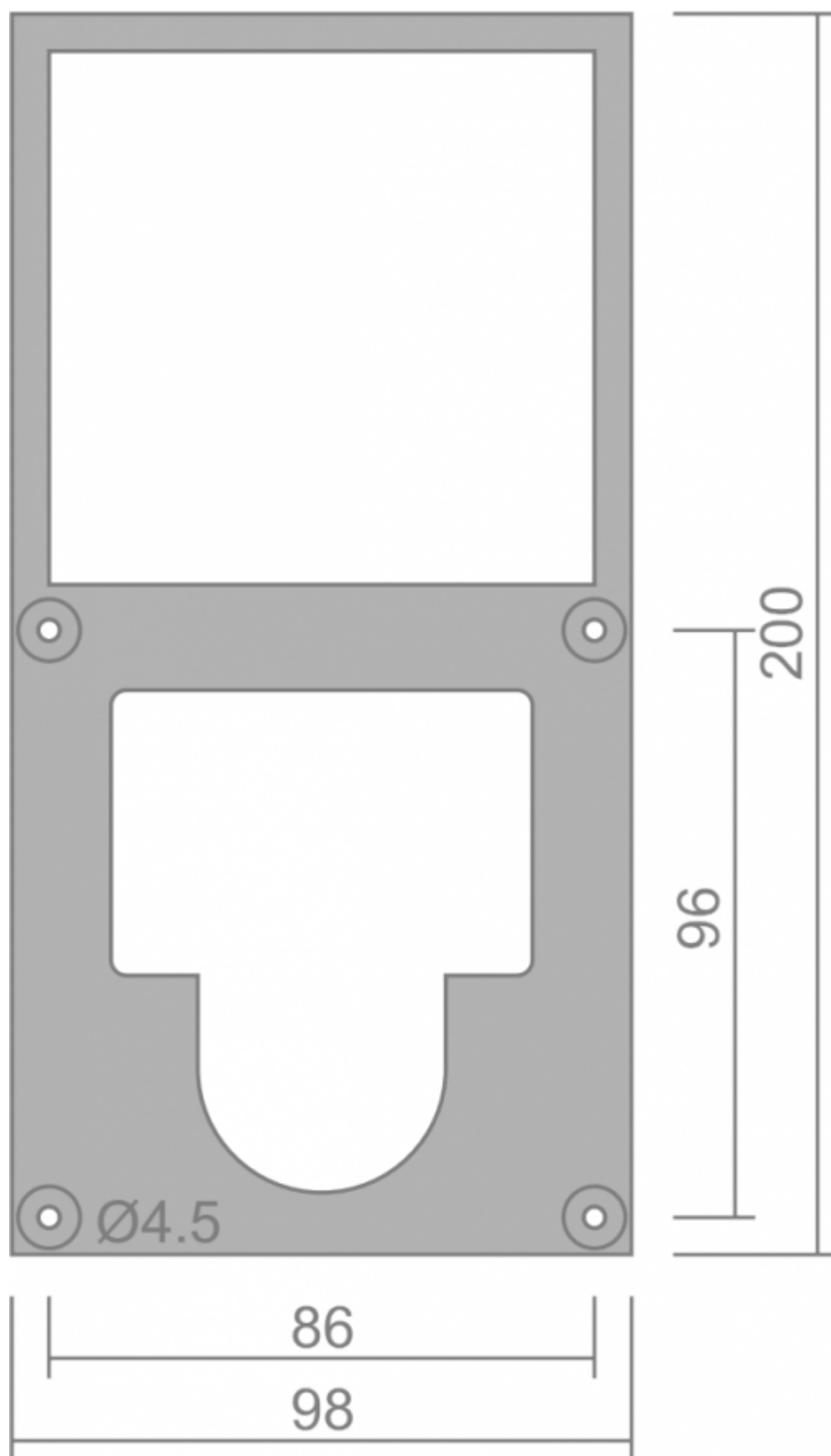
Technical specification

| Beacon | |
|-------------------------|--|
| Bluetooth protocol | BLE 5.0 |
| Frequency band | 2.4GHz |
| Broadcast range | 5m |
| Advertising interval | 500ms |
| Local name | CYBRO |
| Touch display | |
| Diagonal Resolution | 10cm (4") |
| Resolution | 480×480 TFT |
| Touch panel | capacitive |
| Interface | RS485 115200 8n1 |
| Cable length | n/a (D1, D2), 100m (D3) |
| Digital input | |
| Input type | dry contact, internal pull-up 12V 2mA |
| Cable length | 50m |
| Door lock output | |
| Voltage | 12V or 24V, software adjustable |
| Output current | 500mA |
| Protection | short circuit, overvoltage, overheating |
| Cable length | 50m |
| PIR sensor | |
| Input type | dry contact, internal pull-up 12V 2mA |
| Power output | 12V 25mA |
| Protection | short circuit, overheating |
| Cable length | 50m |
| General | |
| Power supply | 24V (18..28V), 85mA (+door lock) |
| Terminals | push-button cage clamp 3.5mm |
| Wire diameter | stranded 0.2..1.5mm ² , solid to 1mm ² |
| Operating conditions | 0..45°C, 0..85% rh non-condensing |
| Storage temperature | -20..75°C |
| Degree of protection | IP20 |
| Dimensions | 98x200x29mm |
| Weight | 350 g |

Terminals



Dimensions & Mounting



TGP app

[CR-D TGP communication & application](#)