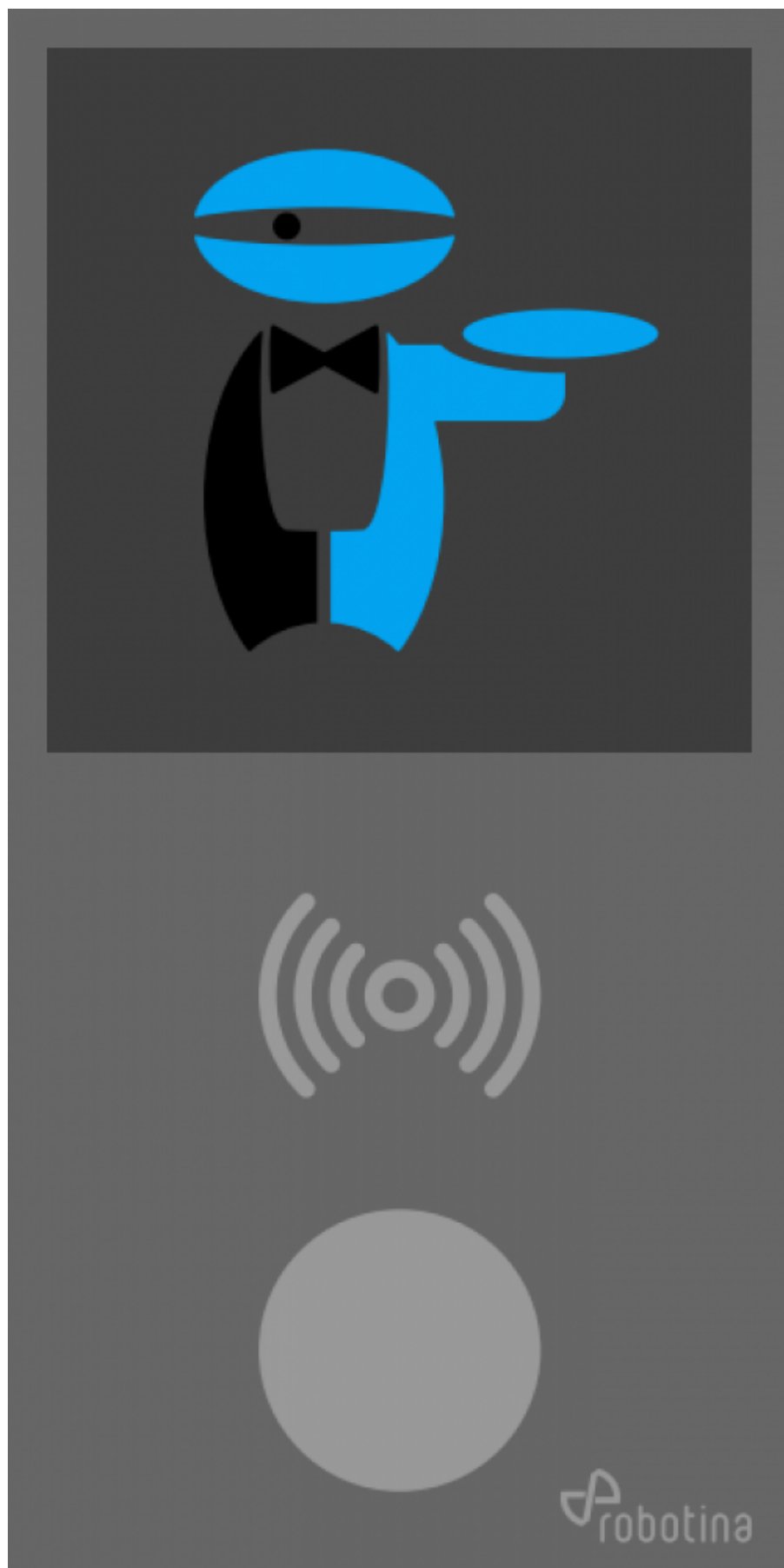


CR-D1-B

RFID, QR code code readers, iBeacon transmitter, 4" graphical touch display



Model number:	CR-D1-B	Black
Mounting:	Field, on wall	
Old code:	CR-D1	

Features

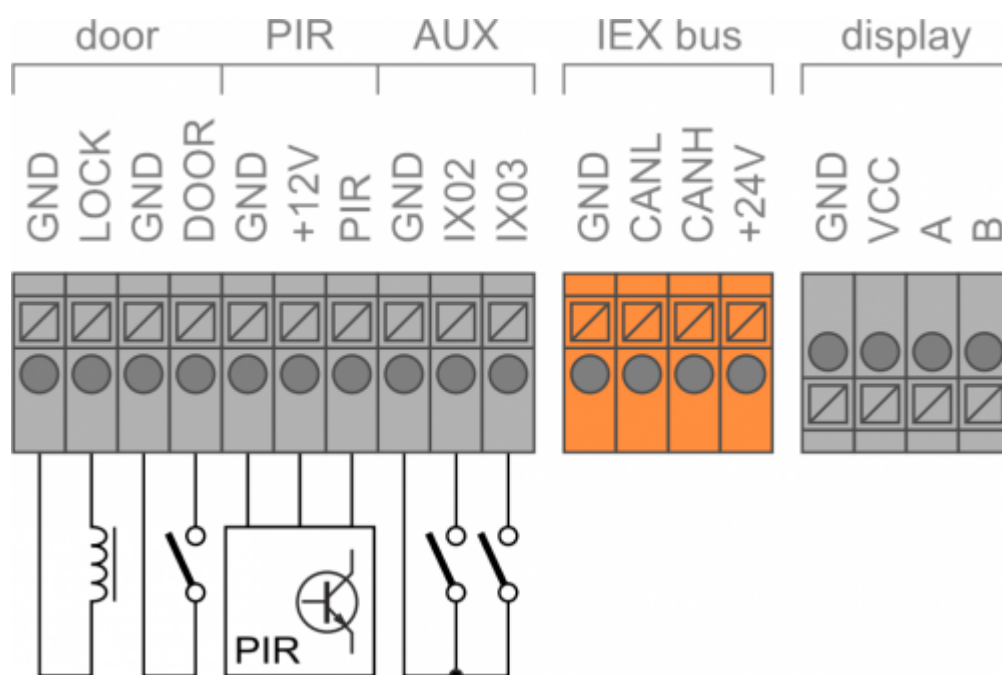
- touch display 4"
- RFID card reader
- QR code reader
- iBeacon transmitter
- digital output for door lock
- digital input for door sensor
- digital input for PIR sensor
- 2 spare digital inputs

Technical specification

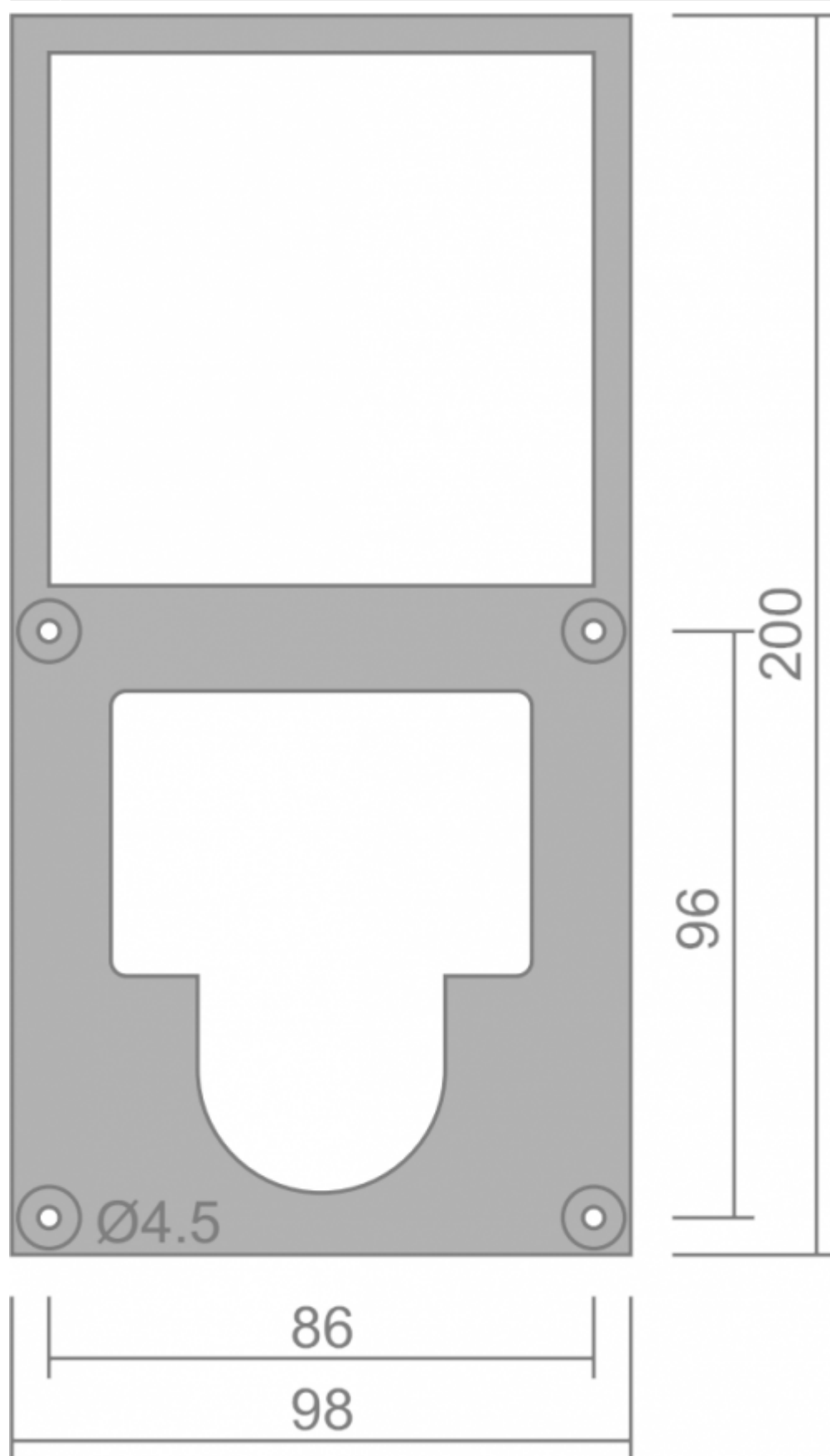
RFID reader	
Tag frequency	125kHz
Reading distance	0..5cm
Output format	32-bit binary
QR reader	
2D formats	QR, Data Matrix, PDF417
1D formats	EAN13, UPCA, UPCE0/1
Reading distance	1.5..15cm
Environment light	50 lux..100,000 lux
Decoding time	400ms
Optimal QR size	22x22mm
Output format	plain text
Beacon	
Bluetooth protocol	BLE 5.0
Frequency band	2.4GHz
Broadcast range	5m
Advertising interval	500ms
Local name	CYBRO
Touch display	
Diagonal Resolution	10cm (4")
Resolution	480x480 TFT
Touch panel	capacitive
Interface	RS485 115200 8n1
Cable length	n/a (D1, D2), 100m (D3)
Digital input	
Input type	dry contact, internal pull-up 12V 2mA
Cable length	50m
Door lock output	
Voltage	12V or 24V, software adjustable
Output current	500mA
Protection	short circuit, overvoltage, overheating
Cable length	50m
PIR sensor	

RFID reader	
Input type	dry contact, internal pull-up 12V 2mA
Power output	12V 25mA
Protection	short circuit, overheating
Cable length	50m
General	
Power supply	24V (18..28V), 85mA (+door lock)
Terminals	push-button cage clamp 3.5mm
Wire diameter	stranded 0.2..1.5mm ² , solid to 1mm ²
Operating conditions	0..45°C, 0..85% rh non-condensing
Storage temperature	-20..75°C
Degree of protection	IP20
Dimensions	98x200x29mm
Weight	350 g

Terminals



Dimensions & Mounting



TGP app

[CR-D TGP communication & application](#)