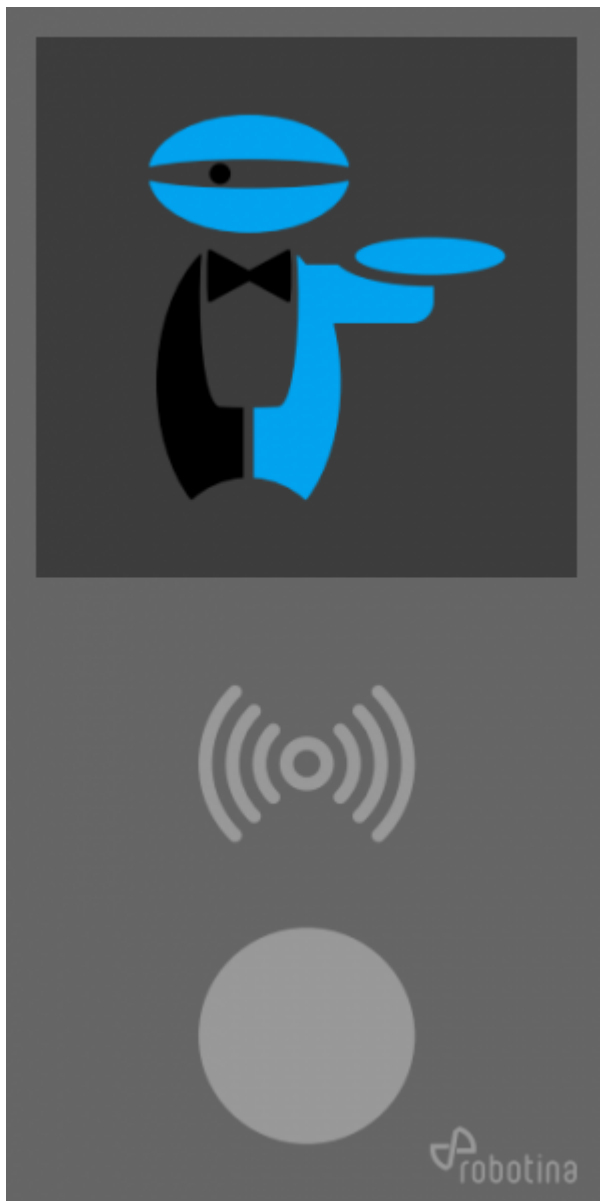


# CR-D1-B

RFID, QR code code readers, iBeacon transmitter, 4" graphical touch display



Model number:	<b>CR-D1-B</b>	Black
Mounting:	Field, on wall	
Old code:	CR-D1	

## Features

- touch display 4"
- RFID card reader
- QR code reader

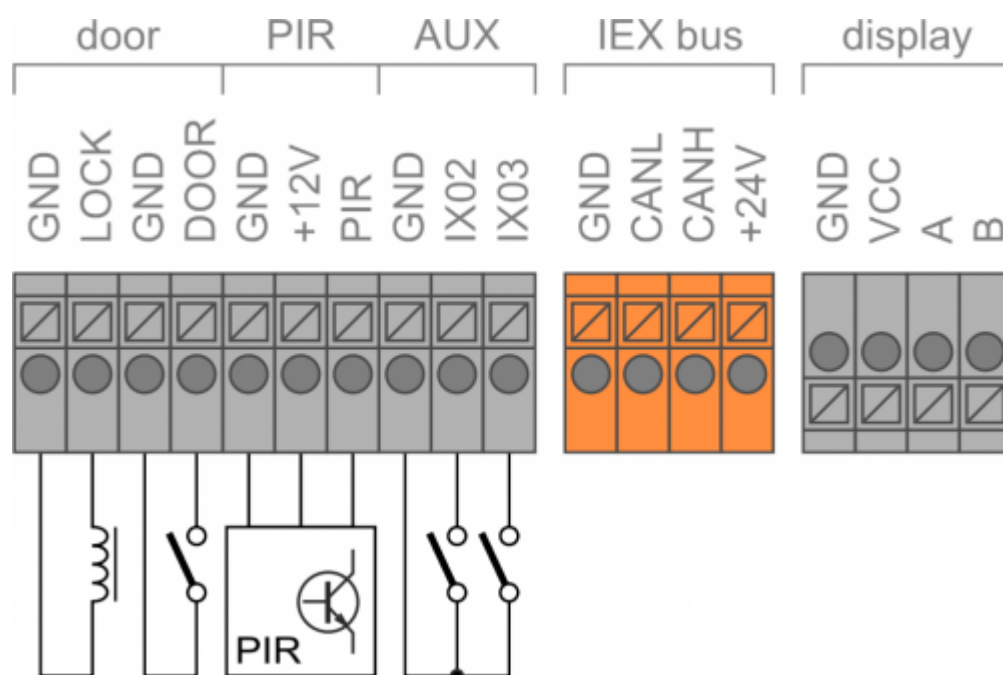
- iBeacon transmitter
- digital output for door lock
- digital input for door sensor
- digital input for PIR sensor
- 2 spare digital inputs

## Technical specification

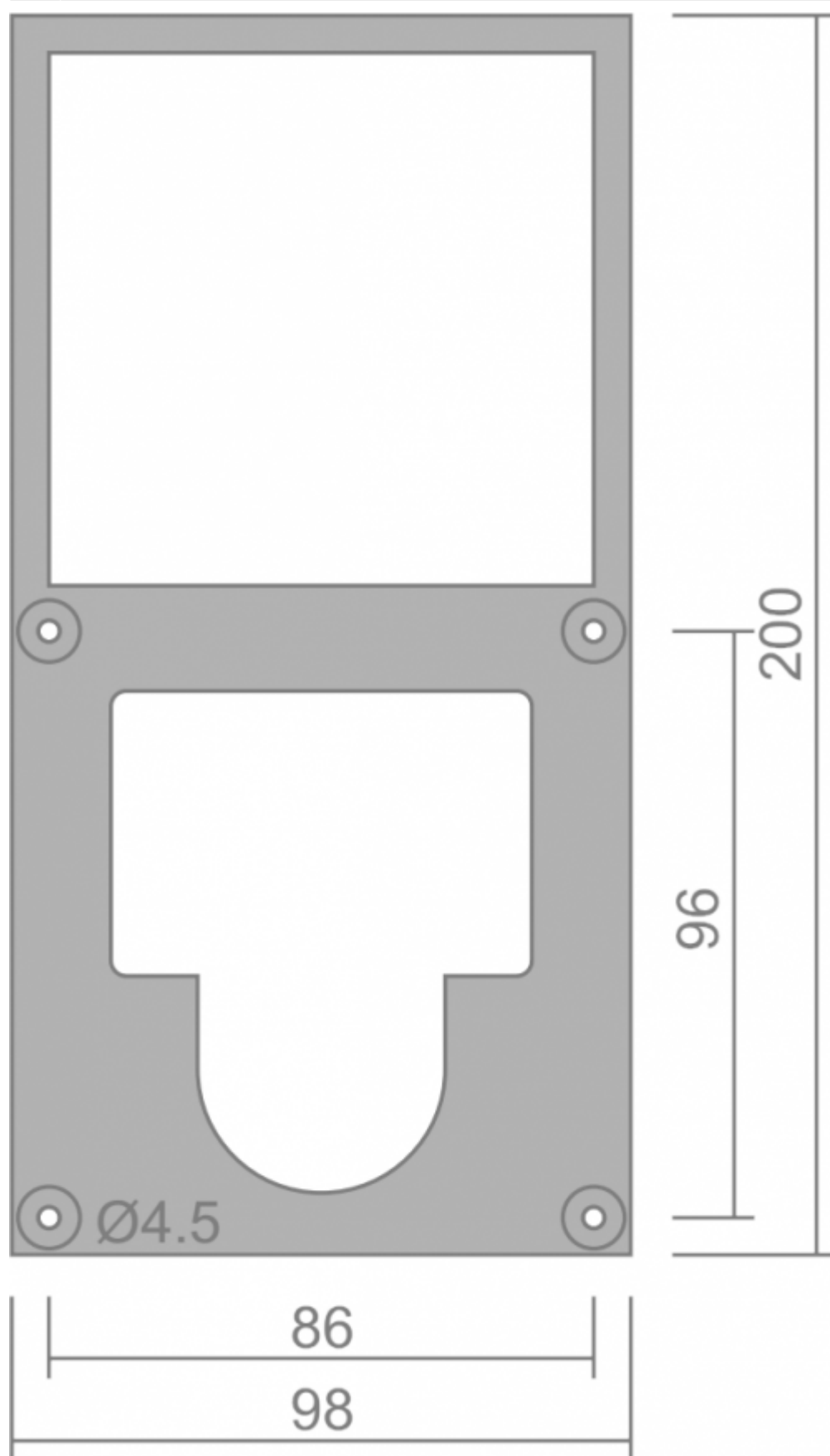
<b>RFID reader</b>	
Tag frequency	125kHz
Reading distance	0..5cm
Output format	32-bit binary
<b>QR reader</b>	
2D formats	QR, Data Matrix, PDF417
1D formats	EAN13, UPCA, UPCE0/1
Reading distance	1.5..15cm
Environment light	50 lux..100,000 lux
Decoding time	400ms
Optimal QR size	22x22mm
Output format	plain text
<b>Beacon</b>	
Bluetooth protocol	BLE 5.0
Frequency band	2.4GHz
Broadcast range	5m
Advertising interval	500ms
Local name	CYBRO
<b>Touch display</b>	
Diagonal Resolution	10cm (4")
Resolution	480x480 TFT
Touch panel	capacitive
Interface	RS485 115200 8n1
Cable length	n/a (D1, D2), 100m (D3)
Digital input	
Input type	dry contact, internal pull-up 12V 2mA
Cable length	50m
<b>Door lock output</b>	
Voltage	12V or 24V, software adjustable
Output current	500mA
Protection	short circuit, overvoltage, overheating
Cable length	50m
<b>PIR sensor</b>	
Input type	dry contact, internal pull-up 12V 2mA
Power output	12V 25mA
Protection	short circuit, overheating
Cable length	50m
<b>General</b>	

<b>RFID reader</b>	
Power supply	24V (18..28V), 85mA (+door lock)
Terminals	push-button cage clamp 3.5mm
Wire diameter	stranded 0.2..1.5mm <sup>2</sup> , solid to 1mm <sup>2</sup>
Operating conditions	0..45°C, 0..85% rh non-condensing
Storage temperature	-20..75°C
Degree of protection	IP20
Dimensions	98x200x29mm
Weight	350 g

## Terminals



## Dimensions & Mounting



## TGP app

[CR-D TGP communication & application](#)